



## **PUSH PIER SYSTEM**



Earth Contact Products: Providing You  
The Very Best Solution for Your Foundation Problems

**Designed and Engineered to Perform**

Concentric



# About Earth Contact Products

For over a decade, Earth Contact Products (ECP) has grown to the most trusted name for foundation steel products. As patent and trademark holders on over 18 items, we supply the very best products, service and support to our national network of contractors. We are dedicated to our contractors and the people that they serve, by providing the highest quality foundation products in the industry and standing behind them with a full manufacturer's warranty.

## The Causes of your Home's Foundation Settlement

**Evaporation:** Hot and dry conditions may cause soil to pull away from the foundation. Settlement due to this foundation moisture imbalance could cause cracks to appear throughout the structure.

**Transpiration:** Tree roots could dehydrate the soil beneath a home causing soil shrinkage.

**Plumbing Leaks:** Water from leaky plumbing is often a major contributor to foundation problems including heaving.

**Drainage:** Improper drainage will lead to excess moisture build up, which could erode or consolidate soils. Excessive moisture may cause heaving of expansive soils.

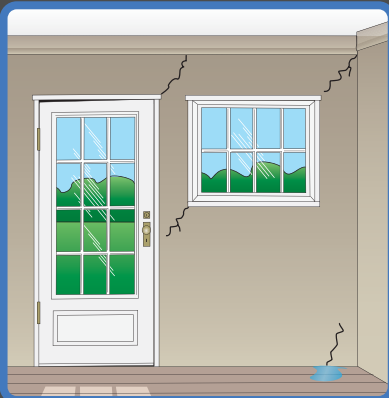
**Site Preparation:** Cut and fill situations, where soil is removed from part of the building site and stacked on another, needs proper soil stabilization before a structure is built; otherwise unexpected movements of the soil beneath the foundation may occur.



## The Signs of Foundation Failure

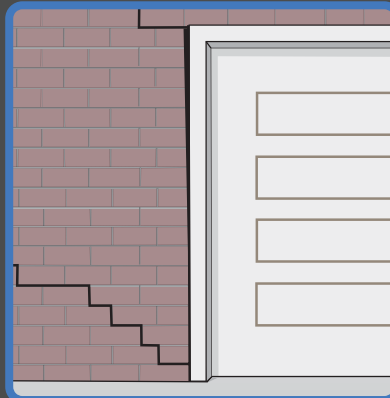
### Your Home's Interior

- Cracks in drywall
- Doors and windows that stick
- Misaligned doors and windows
- Trim or molding misaligned
- Water leakage through cracks at base of walls



### Your Home's Exterior

- Cracks in brickwork
- Gaps around doors and windows
- Fascia board pulled away
- Leaning or tilted chimneys

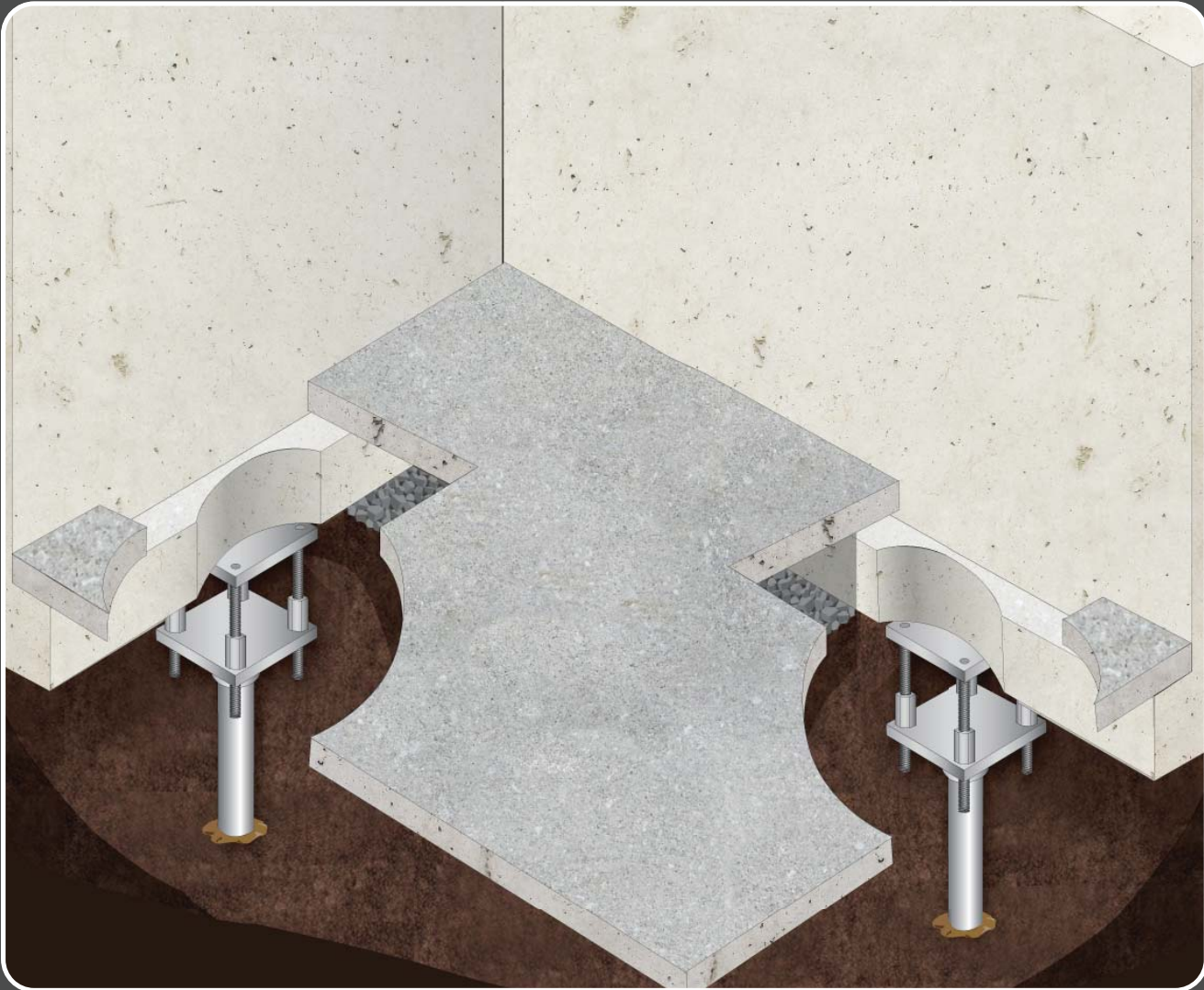


### Your Basement

- Foundation seepage
- Cracks in walls
- Bowed walls
- Sinking foundation



The preferred **Solution** for your Home's Foundation Settlement



*The ECP Steel Push Pier System is a permanent solution for your home's settling foundation. It provides you the very best option to repair your foundation back to level. Steel piers are hydraulically driven through our patented steel bracket to a load bearing stratum, as the entire structure works as the reaction.*

- *100% Proof Tested*
- *Patented Design*
- *25 Year Warranty*
- *The Right Choice!*

#### Product Evaluation Report

Push Pier Report Number : PER - 09040

2003 US Patent 6659692

Products Designed and Tested to ICC AC-308 Standards

*Progressive Engineering Inc. is an accredited Testing laboratory and Third Party Quality Control Agency. The product evaluation report represents an individual product that PEI has a follow-up service agreement with.*

*Progressive Engineering, Inc.  
5860 State Road 15, Goshen, IN 46528  
www.p-e-i.com*

866-327-0007

www.getecp.com

Earth Contact Products

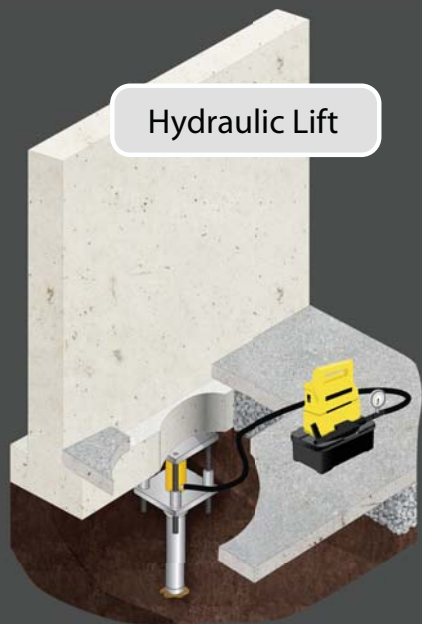
The preferred **Process** to fix your Home's Foundation Settlement



Footing Excavation & Preparation



Pier Installation



Hydraulic Lift

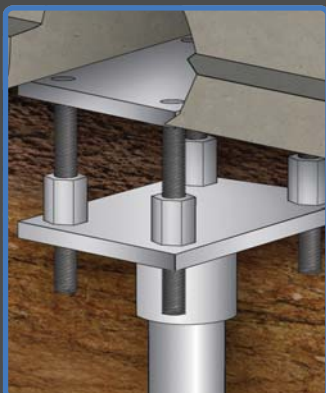


Completed

### **ECP Push Piers**

- Installs to load bearing stratum
- Permanent solution that prevents further settlement
- Unlimited structure lifting capabilities
- Installs with portable equipment (no heavy equipment needed)
- Year-round installation
- Manifold Lift (allows for synchronized lift)
- 10,000 psi hydraulic capacities

***The Right Choice!***



Authorized Installer of Earth Contact Products **ECP**

