



Structural Price List August 2021



Table of Contents

ECP Helical Anchor Product Designations..... pg. 1

Helical Anchors..... pg. 2-12

 1-1/2" Round Corner Square Bar..... pg. 2-3

 1-3/4" Round Corner Square Bar..... pg. 4-5

 2" Round Corner Square Bar..... pg. 6

 2-7/8" OD Round Light Wall pg. 7

 2-7/8" OD Round Standard Wall..... pg. 8-9

 3-1/2" OD Round..... pg. 10-11

 4-1/2" OD Round..... pg. 12

 Light Pole Common Sizes..... pg. 13

Helical Underpinning Brackets..... pg. 14

Helical Slab Brackets..... pg. 15

Helical New Construction Caps..... pg. 16

Transitions & Wall Plates..... pg. 17

Helical Soil Nails..... pg. 18

Crawlspace Jacks..... pg. 19

C-Channel..... pg. 20

Plate Anchors..... pg. 21

Resistance Piers..... pg. 22-34

 PPB-166 Slab Pier..... pg. 22

 PPB-250 Concentric Bracket..... pg. 23

 PPB-300 Eccentric Underpinning Bracket..... pg. 24

 PPB-350 Eccentric Underpinning Bracket..... pg. 25

 PPB-400 Eccentric Underpinning Bracket..... pg. 26

 PPB-350-WM Wall Mount Bracket..... pg. 27

 PPB-400-WM Wall Mount Bracket pg. 28

 PPB-400-WMHD Wall Mount Bracket pg. 29

 PPB-350-EP2 2"Eccentric Offset Bracket pg. 30

 PPB-400-EP2 2"Eccentric Offset Bracket pg. 31

 PPB-350-EP4 4"Eccentric Offset Bracket pg. 32

 PPB-350-MP2 2"Eccentric Offset Bracket pg. 33

 PPB-350-TA Resistance Pier Tieback System..... pg. 34

Glossary of Terms pg. 35-36

Enerpac Hydraulics..... pg. 37-38

Notes..... pg. 39-41

All prices are subject to change without notice.

ECP Torque Anchor™ Product Designations		
Product	Prefix	Product Description
Helical Lead Sections	TAH	Lead Section With One 3/8" Thick Helical Plate
	HTAH	Lead Section With One 1/2" Thick Helical Plate
	TAF	Lead Section with Multiple 3/8" Thick Helical Plates
	HTAF	Lead Section with Multiple 1/2" Thick Helical Plates
Shaft Extensions	TAE	Extension Section with Coupling & Hardware
Transitions	TAT	Transition Coupling – Helical Tieback Anchor Shaft to Threaded Bar
New Construction Pile Caps	TAB-NC	New Construction Compression Pile Cap
	TAB-T	New Construction Tension Pile Cap (Compression and uplift support)
Brackets for Foundation Repair	TAB-150-SUB + TAB-150 TT TAB-288L-MUB + TAB-288-TTM	Foundation Bracket – Fits 1-1/2" Sq. Shaft Helical Pile Shaft Foundation Bracket – Fits 2-7/8" x 0.203" Wall Tubular Helical Pile Shaft
	TAB - LUB TAB-175-TT TAB-288-TT TAB-350-TT	Large Foundation Bracket – Fits Under Footing and Connects to Pile Shaft: T-Tube for use with 1-3/4" Square Shaft T-Tube for use with 2-7/8" Diameter Tubular Shaft T-Tube for use with 3-1/2" Diameter Tubular Shaft
	TAB-150-LP TAB-288-LP	Porch Bracket – Fits 1-1/2" Square or 2-7/8" Dia. Helical Pile Shaft
	TAB-150-SSB	Screw Lift Slab Bracket – Fits 1-1/2" Square Helical Pile Shaft
Brackets for Slab Repair	PPB-166-HSB	Hydraulic Lift Slab Bracket – Fits 1-1/2" Square Helical Pile Shaft & PPB-300-EPS
	TAB-288-LHSB TAB-288-HSB	Hydraulic Lift Slab Bracket – Fits 2-7/8" Diameter Tubular Shaft Also Fits: 1-1/2" Square Shaft 1-3/4" Square Shaft
	TAB-XXX-TB	Bracket to timber beams – Helical Pile Shaft
Timber Bracket	TAB-XXX-TB	Bracket to timber beams – Helical Pile Shaft
Wall Plate	PA	Stamped Wall Plate – Fastens Wall To Threaded Shaft From Tieback

Capacities of ECP Helical Torque Anchors					
Shaft Size	Installation Torque Factor (k)	Axial Compression Load Limit	Ultimate-Limit Tension Strength	Useable Torsional Strength	Practical Load Limit Based on Torsional Strength
1-1/2" Square Bar	9 - 11	70,000 lb.	70,000 lb.	7,000 ft-lb	Load limited to the rated capacity of the attachments and the lateral soil strength against the shaft
1-3/4" Square Bar	9 -11	100,000 lb.	100,000 lb.	10,000 ft-lb	
2" Square Bar	10 - 12	150,000 lb.	150,000 lb.	15,000 ft-lb	
2-7/8" Tubular – 0.203" Wall LW	8 - 9	60,000 lb.	60,000 lb.	5,500 ft-lb	44,000 lb
2-7/8" Tubular – 0.262" Wall ST	8 - 9	100,000 lb.	100,000 lb.	9,000 ft-lb	80,000 lb
3-1/2" Tubular – 0.300" Wall	7 - 8	115,000 lb.	120,000 lb.	13,000 ft-lb	97,000 lb
4-1/2" Tubular – 0.337" Wall	6 - 7	160,000 lb.	160,000 lb.	22,000 ft-lb	143,000 lb

1-1/2" Round Corner Square Bar "Helical Torque Anchor™" with 3/8" Helical Plate 7,000 ft-lb

Item 10"	Description	Bdl Qty	Weight	Price
TAH-150-10-8	10" lead w/ 3/8" x 8" helical	25	11 lbs	\$ 39.70
TAH-150-10-10	10" lead w/ 3/8" x 10" helical	25	14 lbs	\$ 46.95
TAH-150-10-12	10" lead w/ 3/8" x 12" helical	25	17 lbs	\$ 53.30
TAH-150-10-14	10" lead w/ 3/8" x 14" helical	25	21 lbs	\$ 62.15

5'

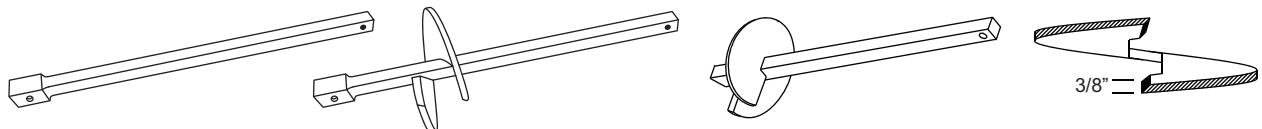
TAH-150-60-8	60" lead w/ 3/8" x 8" helical	50	43 lbs	\$ 88.00
TAH-150-60-10	60" lead w/ 3/8" x 10" helical	50	46 lbs	\$ 94.25
TAH-150-60-12	60" lead w/ 3/8" x 12" helical	50	49 lbs	\$ 102.35
TAH-150-60-14	60" lead w/ 3/8" x 14" helical	50	53 lbs	\$ 111.20
TAF-150-60-8-10	60" lead w/ 3/8" x 8" & 10" helical	25	50 lbs	\$ 119.80
TAF-150-60-10-12	60" lead w/ 3/8" x 10" & 12" helical	25	56 lbs	\$ 133.40
TAF-150-60-12-14	60" lead w/ 3/8" x 12" & 14" helical	25	63 lbs	\$ 149.60

7'

TAH-150-84-8	84" lead w/ 3/8" x 8" helical	50	58 lbs	\$ 113.50
TAH-150-84-10	84" lead w/ 3/8" x 10" helical	50	61 lbs	\$ 119.75
TAH-150-84-12	84" lead w/ 3/8" x 12" helical	50	64 lbs	\$ 127.10
TAH-150-84-14	84" lead w/ 3/8" x 14" helical	50	68 lbs	\$ 135.95
TAF-150-84-8-10	84" lead w/ 3/8" x 8" & 10" helical	25	66 lbs	\$ 141.90
TAF-150-84-10-12	84" lead w/ 3/8" x 10" & 12" helical	25	72 lbs	\$ 155.50
TAF-150-84-12-14	84" lead w/ 3/8" x 12" & 14" helical	25	79 lbs	\$ 171.70
TAF-150-84-8-10-12	84" lead w/ 3/8" x 8", 10" & 12" helical	25	77 lbs	\$ 177.70
TAF-150-84-10-12-14	84" lead w/ 3/8" x 10", 12" & 14" helical	25	86 lbs	\$ 199.80

10'

TAH-150-120-8	120" lead w/ 3/8" x 8" helical	25	81 lbs	\$ 148.70
TAH-150-120-10	120" lead w/ 3/8" x 10" helical	25	84 lbs	\$ 154.90
TAH-150-120-12	120" lead w/ 3/8" x 12" helical	25	87 lbs	\$ 162.25
TAH-150-120-14	120" lead w/ 3/8" x 14" helical	25	91 lbs	\$ 171.15
TAF-150-120-8-10	120" lead w/ 3/8" x 8" & 10" helical	25	89 lbs	\$ 178.60
TAF-150-120-10-12	120" lead w/ 3/8" x 10" & 12" helical	25	95 lbs	\$ 192.20
TAF-150-120-12-14	120" lead w/ 3/8" x 12" & 14" helical	25	102 lbs	\$ 208.40
TAF-150-120-8-10-12	120" lead w/ 3/8" x 8", 10" & 12" helical	25	100 lbs	\$ 214.35
TAF-150-120-10-12-14	120" lead w/ 3/8" x 10", 12" & 14" helical	25	109 lbs	\$ 236.45



1-1/2" Extensions

TAE-150-36	36" Extension	50	26 lbs	\$ 54.30
TAE-150-42	42" Extension	50	28 lbs	\$ 58.65
TAE-150-60	60" Extension	50	41 lbs	\$ 74.30
TAE-150-84	84" Extension	50	56 lbs	\$ 97.90
TAE-150-120	120" Extension	50	79 lbs	\$ 136.75
TAE-150-42-14	42" Extension w/ 14" Flight	25	43 lbs	\$ 107.45

1-1/2" Round Corner Square Bar "Helical Torque Anchor™" with 1/2" Helical Plate 7,000 ft-lb

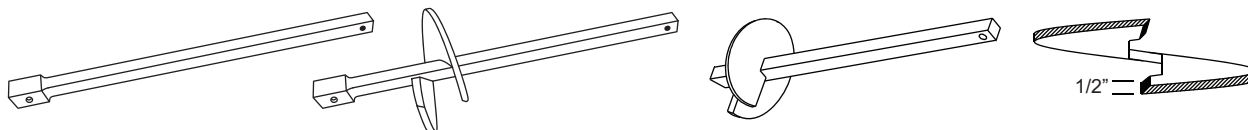
Item 5'	Description	Bdl Qty	Weight	Price
HTAH-150-60-8	60" lead w/ 1/2" x 8" helical	50	44 lbs	\$ 96.20
HTAH-150-60-10	60" lead w/ 1/2" x 10" helical	50	48 lbs	\$ 104.80
HTAH-150-60-12	60" lead w/ 1/2" x 12" helical	50	52 lbs	\$ 115.25
HTAH-150-60-14	60" lead w/ 1/2" x 14" helical	50	57 lbs	\$ 131.40
HTAF-150-60-8-10	60" lead w/ 1/2" x 8" & 10" helical	25	54 lbs	\$ 131.30
HTAF-150-60-10-12	60" lead w/ 1/2" x 10" & 12" helical	25	62 lbs	\$ 150.45
HTAF-150-60-12-14	60" lead w/ 1/2" x 12" & 14" helical	25	72 lbs	\$ 177.40

7'

HTAH-150-84-8	84" lead w/ 1/2" x 8" helical	50	60 lbs	\$ 118.20
HTAH-150-84-10	84" lead w/ 1/2" x 10" helical	50	64 lbs	\$ 126.95
HTAH-150-84-12	84" lead w/ 1/2" x 12" helical	50	68 lbs	\$ 137.35
HTAH-150-84-14	84" lead w/ 1/2" x 14" helical	50	73 lbs	\$ 153.50
HTAF-150-84-8-10	84" lead w/ 1/2" x 8" & 10" helical	25	70 lbs	\$ 153.40
HTAF-150-84-10-12	84" lead w/ 1/2" x 10" & 12" helical	25	78 lbs	\$ 172.60
HTAF-150-84-12-14	84" lead w/ 1/2" x 12" & 14" helical	25	87 lbs	\$ 199.15
HTAF-150-84-8-10-12	84" lead w/ 1/2" x 8", 10" & 12" helical	25	84 lbs	\$ 199.80
HTAF-150-84-10-12-14	84" lead w/ 1/2" x 10", 12" & 14" helical	25	97 lbs	\$ 235.15

10'

HTAH-150-120-8	120" lead w/ 1/2" x 8" helical	25	83 lbs	\$ 151.85
HTAH-150-120-10	120" lead w/ 1/2" x 10" helical	25	87 lbs	\$ 160.60
HTAH-150-120-12	120" lead w/ 1/2" x 12" helical	25	91 lbs	\$ 171.00
HTAH-150-120-14	120" lead w/ 1/2" x 14" helical	25	96 lbs	\$ 187.15
HTAF-150-120-8-10	120" lead w/ 1/2" x 8" & 10" helical	25	93 lbs	\$ 193.10
HTAF-150-120-10-12	120" lead w/ 1/2" x 10" & 12" helical	25	101 lbs	\$ 212.25
HTAF-150-120-12-14	120" lead w/ 1/2" x 12" & 14" helical	25	110 lbs	\$ 238.80
HTAF-150-120-8-10-12	120" lead w/ 1/2" x 8", 10" & 12" helical	25	107 lbs	\$ 238.70
HTAF-150-120-10-12-14	120" lead w/ 1/2" x 10", 12" & 14" helical	25	120 lbs	\$ 274.80



1-1/2" Extensions

TAE-150-36	36" Extension	50	26 lbs	\$ 54.30
TAE-150-42	42" Extension	50	28 lbs	\$ 58.65
TAE-150-60	60" Extension	50	41 lbs	\$ 74.30
TAE-150-84	84" Extension	50	56 lbs	\$ 97.90
TAE-150-120	120" Extension	50	79 lbs	\$ 136.75
HTAE-150-42-14	42" Extension w/ 14" Flight	25	48 lbs	\$ 124.85

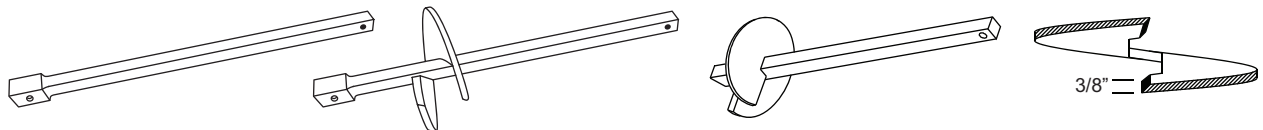
1-3/4" Round Corner Square Bar

1-3/4" Round Corner Square Bar "Helical Torque Anchor™" with 3/8" Helical Plate
11,000 ft-lb

Item	Description	Bdl Qty	Weight	Price
5'				
TAH-175-60-8	60" lead w/ 3/8" x 8" helical	50	56 lbs	\$ 108.10
TAH-175-60-10	60" lead w/ 3/8" x 10" helical	50	59 lbs	\$ 114.35
TAH-175-60-12	60" lead w/ 3/8" x 12" helical	50	62 lbs	\$ 121.70
TAH-175-60-14	60" lead w/ 3/8" x 14" helical	50	66 lbs	\$ 130.55
TAF-175-60-8-10	60" lead w/ 3/8" x 8" & 10" helical	25	64 lbs	\$ 136.50
TAF-175-60-10-12	60" lead w/ 3/8" x 10" & 12" helical	25	70 lbs	\$ 150.25
TAF-175-60-12-14	60" lead w/ 3/8" x 12" & 14" helical	25	75 lbs	\$ 165.55

7'				
TAH-175-84-8	84" lead w/ 3/8" x 8" helical	50	78 lbs	\$ 137.10
TAH-175-84-10	84" lead w/ 3/8" x 10" helical	50	79 lbs	\$ 142.60
TAH-175-84-12	84" lead w/ 3/8" x 12" helical	50	83 lbs	\$ 150.30
TAH-175-84-14	84" lead w/ 3/8" x 14" helical	50	86 lbs	\$ 158.80
TAF-175-84-8-10	84" lead w/ 3/8" x 8" & 10" helical	25	84 lbs	\$ 164.80
TAF-175-84-10-12	84" lead w/ 3/8" x 10" & 12" helical	25	96 lbs	\$ 178.35
TAF-175-84-12-14	84" lead w/ 3/8" x 12" & 14" helical	25	95 lbs	\$ 193.80
TAF-175-84-8-10-12	84" lead w/ 3/8" x 8", 10" & 12" helical	25	95 lbs	\$ 203.55
TAF-175-84-10-12-14	84" lead w/ 3/8" x 10", 12" & 14" helical	25	103 lbs	\$ 225.25

10'				
TAH-175-120-8	120" lead w/ 3/8" x 8" helical	25	107 lbs	\$ 187.10
TAH-175-120-10	120" lead w/ 3/8" x 10" helical	25	110 lbs	\$ 193.35
TAH-175-120-12	120" lead w/ 3/8" x 12" helical	25	113 lbs	\$ 200.70
TAH-175-120-14	120" lead w/ 3/8" x 14" helical	25	117 lbs	\$ 209.60
TAF-175-120-8-10	120" lead w/ 3/8" x 8" & 10" helical	25	115 lbs	\$ 215.55
TAF-175-120-10-12	120" lead w/ 3/8" x 10" & 12" helical	25	121 lbs	\$ 229.15
TAF-175-120-12-14	120" lead w/ 3/8" x 12" & 14" helical	25	125 lbs	\$ 244.60
TAF-175-120-8-10-12	120" lead w/ 3/8" x 8", 10" & 12" helical	25	126 lbs	\$ 254.30
TAF-175-120-10-12-14	120" lead w/ 3/8" x 10", 12" & 14" helical	25	133 lbs	\$ 275.65


1-3/4" Extensions

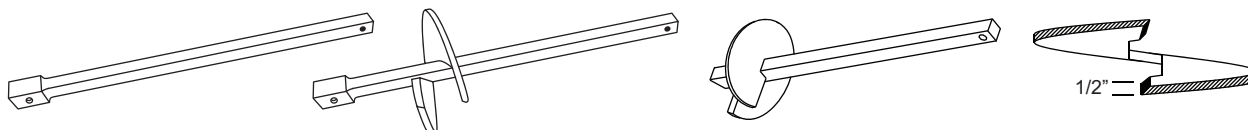
TAE-175-36	36" Extension	50	34 lbs	\$ 66.25
TAE-175-42	42" Extension	50	39 lbs	\$ 72.30
TAE-175-60	60" Extension	50	55 lbs	\$ 93.35
TAE-175-84	84" Extension	50	75 lbs	\$ 123.35
TAE-175-120	120" Extension	50	106 lbs	\$ 175.60
TAE-175-42-14	42" Extension w/ 14" Flight	25	54 lbs	\$ 127.00

1-3/4" Round Corner Square Bar "Helical Torque Anchor™" with 1/2" Helical Plate 11,000 ft-lb

Item	Description	Bdl Qty	Weight	Price
5'				
HTAH-175-60-8	60" lead w/ 1/2" x 8" helical	50	58 lbs	\$ 115.00
HTAH-175-60-10	60" lead w/ 1/2" x 10" helical	50	61 lbs	\$ 127.70
HTAH-175-60-12	60" lead w/ 1/2" x 12" helical	50	66 lbs	\$ 138.80
HTAH-175-60-14	60" lead w/ 1/2" x 14" helical	50	71 lbs	\$ 155.45
HTAF-175-60-8-10	60" lead w/ 1/2" x 8" & 10" helical	25	68 lbs	\$ 155.40
HTAF-175-60-10-12	60" lead w/ 1/2" x 10" & 12" helical	25	76 lbs	\$ 175.15
HTAF-175-60-12-14	60" lead w/ 1/2" x 12" & 14" helical	25	85 lbs	\$ 202.50

7'				
HTAH-175-84-8	84" lead w/ 1/2" x 8" helical	50	78 lbs	\$ 148.10
HTAH-175-84-10	84" lead w/ 1/2" x 10" helical	50	82 lbs	\$ 157.10
HTAH-175-84-12	84" lead w/ 1/2" x 12" helical	50	86 lbs	\$ 169.35
HTAH-175-84-14	84" lead w/ 1/2" x 14" helical	50	91 lbs	\$ 186.00
HTAF-175-84-8-10	84" lead w/ 1/2" x 8" & 10" helical	25	88 lbs	\$ 184.40
HTAF-175-84-10-12	84" lead w/ 1/2" x 10" & 12" helical	25	96 lbs	\$ 209.55
HTAF-175-84-12-14	84" lead w/ 1/2" x 12" & 14" helical	25	105 lbs	\$ 231.50
HTAF-175-84-8-10-12	84" lead w/ 1/2" x 8", 10" & 12" helical	25	102 lbs	\$ 234.55
HTAF-175-84-10-12-14	84" lead w/ 1/2" x 10", 12" & 14" helical	25	115 lbs	\$ 270.90

10'				
HTAH-175-120-8	120" lead w/ 1/2" x 8" helical	25	109 lbs	\$ 200.25
HTAH-175-120-10	120" lead w/ 1/2" x 10" helical	25	113 lbs	\$ 209.25
HTAH-175-120-12	120" lead w/ 1/2" x 12" helical	25	117 lbs	\$ 220.00
HTAH-175-120-14	120" lead w/ 1/2" x 14" helical	25	122 lbs	\$ 238.20
HTAF-175-120-8-10	120" lead w/ 1/2" x 8" & 10" helical	25	119 lbs	\$ 230.00
HTAF-175-120-10-12	120" lead w/ 1/2" x 10" & 12" helical	25	127 lbs	\$ 256.30
HTAF-175-120-12-14	120" lead w/ 1/2" x 12" & 14" helical	25	136 lbs	\$ 283.65
HTAF-175-120-8-10-12	120" lead w/ 1/2" x 8", 10" & 12" helical	25	133 lbs	\$ 278.70
HTAF-175-120-10-12-14	120" lead w/ 1/2" x 10", 12" & 14" helical	25	146 lbs	\$ 323.05



1-3/4" Extensions

TAE-175-36	36" Extension	50	34 lbs	\$ 66.25
TAE-175-42	42" Extension	50	39 lbs	\$ 72.30
TAE-175-60	60" Extension	50	55 lbs	\$ 93.35
TAE-175-84	84" Extension	50	75 lbs	\$ 123.35
TAE-175-120	120" Extension	50	106 lbs	\$ 175.60

2" Round Corner Square Bar

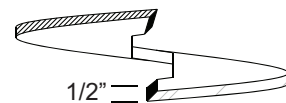
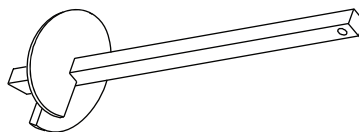
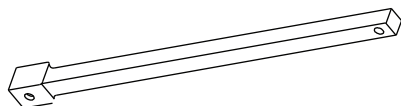
2" Round Corner Square Bar "Helical Torque Anchor™" with 1/2" Helical Plate

15,000 ft-lb

Item	Description	Bdl Qty	Weight	Price
5'				
HTAF-200-60-8-10	60" lead w/ 1/2" x 8" & 10" helical	20	83 lbs	\$195.95
HTAF-200-60-10-12	60" lead w/ 1/2" x 10" & 12" helical	20	91 lbs	\$215.70
HTAF-200-60-12-14	60" lead w/ 1/2" x 12" & 14" helical	20	100 lbs	\$243.05
HTAF-200-60-14-16	60" lead w/ 1/2" x 14" & 16" helical	20	111 lbs	\$274.50

7'				
HTAF-200-84-8-10	84" lead w/ 1/2" x 8" & 10" helical	20	109 lbs	\$205.85
HTAF-200-84-10-12	84" lead w/ 1/2" x 10" & 12" helical	20	117 lbs	\$253.80
HTAF-200-84-12-14	84" lead w/ 1/2" x 12" & 14" helical	20	127 lbs	\$281.55
HTAF-200-84-14-16	84" lead w/ 1/2" x 14" & 16" helical	20	138 lbs	\$313.00
HTAF-200-84-8-10-12	84" lead w/ 1/2" x 8", 10" & 12" helical	20	123 lbs	\$288.05
HTAF-200-84-10-12-14	84" lead w/ 1/2" x 10", 12" & 14" helical	20	136 lbs	\$324.45

10'				
HTAF-200-120-8-10	120" lead w/ 1/2" x 8" & 10" helical	20	149 lbs	\$292.70
HTAF-200-120-10-12	120" lead w/ 1/2" x 10" & 12" helical	20	157 lbs	\$309.35
HTAF-200-120-12-14	120" lead w/ 1/2" x 12" & 14" helical	20	166 lbs	\$339.80
HTAF-200-120-14-16	120" lead w/ 1/2" x 14" & 16" helical	20	177 lbs	\$371.25
HTAF-200-120-8-10-12	120" lead w/ 1/2" x 8", 10" & 12" helical	20	163 lbs	\$346.70
HTAF-200-120-10-12-14	120" lead w/ 1/2" x 10", 12" & 14" helical	20	176 lbs	\$383.10
HTAF-200-120-12-14-16	120" lead w/ 1/2" x 12", 14" & 16" helical	20	192 lbs	\$425.65



2" Extensions

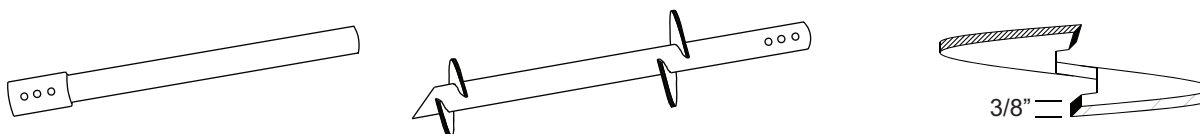
TAE-200-60	60" Extension	20	72 lbs	\$144.60
TAE-200-84	84" Extension	20	99 lbs	\$187.35
TAE-200-120	120" Extension	20	142 lbs	\$241.30

2-7/8"LW Round "Helical Torque Anchor™" with 3/8" Helical Plate
5,500 ft-lb

Item	Description	Bdl Qty	Weight	Price
5'				
TAH-288L-60-8	60" lead w / 3/8" x 8" helical	50	34 lbs	\$ 94.30
TAH-288L-60-10	60" lead w / 3/8" x 10" helical	50	37 lbs	\$ 100.75
TAH-288L-60-12	60" lead w / 3/8" x 12" helical	50	40 lbs	\$ 108.30
TAH-288L-60-14	60" lead w / 3/8" x 14" helical	50	44 lbs	\$ 117.45
TAF-288L-60-8-10	60" lead w / 3/8" x 8" & 10" helical	25	41 lbs	\$ 126.35
TAF-288L-60-10-12	60" lead w / 3/8" x 10" & 12" helical	25	47 lbs	\$ 140.30
TAF-288L-60-12-14	60" lead w / 3/8" x 12" & 14" helical	25	54 lbs	\$ 157.00

7'				
TAH-288L-84-8	84" lead w / 3/8" x 8" helical	50	45 lbs	\$ 119.85
TAH-288L-84-10	84" lead w / 3/8" x 10" helical	50	48 lbs	\$ 126.30
TAH-288L-84-12	84" lead w / 3/8" x 12" helical	50	51 lbs	\$ 133.85
TAH-288L-84-14	84" lead w / 3/8" x 14" helical	50	55 lbs	\$ 142.95
TAF-288L-84-8-10	84" lead w / 3/8" x 8" & 10" helical	25	53 lbs	\$ 152.25
TAF-288L-84-10-12	84" lead w / 3/8" x 10" & 12" helical	25	59 lbs	\$ 166.25
TAF-288L-84-12-14	84" lead w / 3/8" x 12" & 14" helical	25	66 lbs	\$ 182.90
TAF-288L-84-8-10-12	84" lead w / 3/8" x 8", 10" & 12" helical	25	64 lbs	\$ 192.20
TAF-288L-84-10-12-14	84" lead w / 3/8" x 10", 12" & 14" helical	25	73 lbs	\$ 214.95

10'				
TAH-288L-120-8	120" lead w / 3/8" x 8" helical	25	63 lbs	\$ 160.60
TAH-288L-120-10	120" lead w / 3/8" x 10" helical	25	65 lbs	\$ 166.65
TAH-288L-120-12	120" lead w / 3/8" x 12" helical	25	69 lbs	\$ 174.55
TAH-288L-120-14	120" lead w / 3/8" x 14" helical	25	73 lbs	\$ 183.70
TAF-288L-120-8-10	120" lead w / 3/8" x 8" & 10" helical	25	70 lbs	\$ 189.50
TAF-288L-120-10-12	120" lead w / 3/8" x 10" & 12" helical	25	76 lbs	\$ 203.50
TAF-288L-120-12-14	120" lead w / 3/8" x 12" & 14" helical	25	83 lbs	\$ 220.15
TAF-288L-120-8-10-12	120" lead w / 3/8" x 8", 10" & 12" helical	25	78 lbs	\$ 228.30
TAF-288L-120-10-12-14	120" lead w / 3/8" x 10", 12" & 14" helical	25	91 lbs	\$ 252.55



2-7/8"LW Extensions

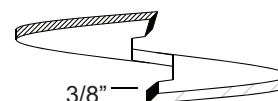
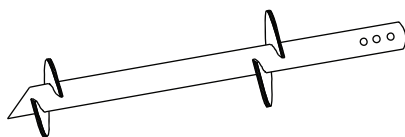
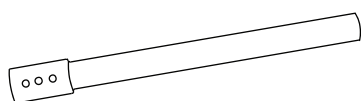
TAE-288L-36	36" Extension	50	21 lbs	\$ 66.10
TAE-288L-60	60" Extension	50	32 lbs	\$ 90.70
TAE-288L-84	84" Extension	50	44 lbs	\$ 112.60
TAE-288L-120	120" Extension	50	61 lbs	\$ 150.10

2-7/8" Round "Helical Torque Anchor™" with 3/8" Helical Plate 9,000 ft-lb

Item	Description	Bdl Qty	Weight	Price
5'				
TAH-288-60-8	60" lead w / 3/8" x 8" helical	50	43 lbs	\$ 111.30
TAH-288-60-10	60" lead w / 3/8" x 10" helical	50	46 lbs	\$ 117.70
TAH-288-60-12	60" lead w / 3/8" x 12" helical	50	49 lbs	\$ 125.25
TAH-288-60-14	60" lead w / 3/8" x 14" helical	50	53 lbs	\$ 134.40
TAF-288-60-8-10	60" lead w / 3/8" x 8" & 10" helical	25	50 lbs	\$ 143.30
TAF-288-60-10-12	60" lead w / 3/8" x 10" & 12" helical	25	56 lbs	\$ 157.30
TAF-288-60-12-14	60" lead w / 3/8" x 12" & 14" helical	25	63 lbs	\$ 173.95

7'				
TAH-288-84-8	84" lead w / 3/8" x 8" helical	50	58 lbs	\$ 141.90
TAH-288-84-10	84" lead w / 3/8" x 10" helical	50	61 lbs	\$ 148.35
TAH-288-84-12	84" lead w / 3/8" x 12" helical	50	64 lbs	\$ 155.90
TAH-288-84-14	84" lead w / 3/8" x 14" helical	50	68 lbs	\$ 165.05
TAF-288-84-8-10	84" lead w / 3/8" x 8" & 10" helical	25	66 lbs	\$ 174.30
TAF-288-84-10-12	84" lead w / 3/8" x 10" & 12" helical	25	72 lbs	\$ 188.30
TAF-288-84-12-14	84" lead w / 3/8" x 12" & 14" helical	25	79 lbs	\$ 205.00
TAF-288-84-8-10-12	84" lead w / 3/8" x 8", 10" & 12" helical	25	77 lbs	\$ 214.25
TAF-288-84-10-12-14	84" lead w / 3/8" x 10", 12" & 14" helical	25	86 lbs	\$ 237.00

10'				
TAH-288-120-8	120" lead w / 3/8" x 8" helical	25	81 lbs	\$ 191.90
TAH-288-120-10	120" lead w / 3/8" x 10" helical	25	84 lbs	\$ 198.30
TAH-288-120-12	120" lead w / 3/8" x 12" helical	25	87 lbs	\$ 205.85
TAH-288-120-14	120" lead w / 3/8" x 14" helical	25	91 lbs	\$ 215.00
TAF-288-120-8-10	120" lead w / 3/8" x 8" & 10" helical	25	89 lbs	\$ 221.15
TAF-288-120-10-12	120" lead w / 3/8" x 10" & 12" helical	25	95 lbs	\$ 235.15
TAF-288-120-12-14	120" lead w / 3/8" x 12" & 14" helical	25	102 lbs	\$ 251.85
TAF-288-120-8-10-12	120" lead w / 3/8" x 8", 10" & 12" helical	25	100 lbs	\$ 261.10
TAF-288-120-10-12-14	120" lead w / 3/8" x 10", 12" & 14" helical	25	109 lbs	\$ 283.85



2-7/8" Extensions

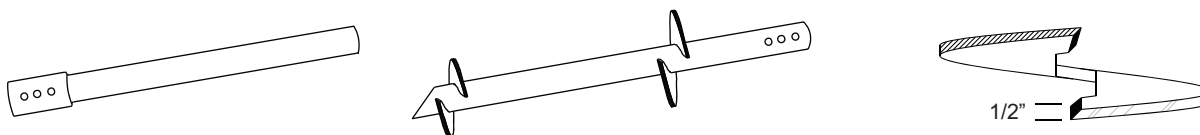
TAE-288-36	36" Extension	50	26 lbs	\$ 82.30
TAE-288-60	60" Extension	50	41 lbs	\$ 111.85
TAE-288-84	84" Extension	50	56 lbs	\$ 140.05
TAE-288-120	120" Extension	50	79 lbs	\$ 187.05

2-7/8" Round "Helical Torque Anchor™" with 1/2" Helical Plate 9,000 ft-lb

Item	Description	Bdl Qty	Weight	Price
5'				
HTAH-288-60-8	60" lead w/ 1/2" x 8" helical	50	44 lbs	\$ 115.70
HTAH-288-60-10	60" lead w/ 1/2" x 10" helical	50	48 lbs	\$ 124.75
HTAH-288-60-12	60" lead w/ 1/2" x 12" helical	50	52 lbs	\$ 135.45
HTAH-288-60-14	60" lead w/ 1/2" x 14" helical	50	57 lbs	\$ 152.10
HTAF-288-60-8-10	60" lead w/ 1/2" x 8" & 10" helical	25	54 lbs	\$ 155.10
HTAF-288-60-10-12	60" lead w/ 1/2" x 10" & 12" helical	25	62 lbs	\$ 174.85
HTAF-288-60-12-14	60" lead w/ 1/2" x 12" & 14" helical	25	72 lbs	\$ 202.60

7'				
HTAH-288-84-8	84" lead w/ 1/2" x 8" helical	50	60 lbs	\$ 146.75
HTAH-288-84-10	84" lead w/ 1/2" x 10" helical	50	64 lbs	\$ 155.75
HTAH-288-84-12	84" lead w/ 1/2" x 12" helical	50	68 lbs	\$ 166.50
HTAH-288-84-14	84" lead w/ 1/2" x 14" helical	50	73 lbs	\$ 183.10
HTAF-288-84-8-10	84" lead w/ 1/2" x 8" & 10" helical	25	70 lbs	\$ 186.15
HTAF-288-84-10-12	84" lead w/ 1/2" x 10" & 12" helical	25	78 lbs	\$ 205.90
HTAF-288-84-12-14	84" lead w/ 1/2" x 12" & 14" helical	25	87 lbs	\$ 233.25
HTAF-288-84-8-10-12	84" lead w/ 1/2" x 8", 10" & 12" helical	25	84 lbs	\$ 236.30
HTAF-288-84-10-12-14	84" lead w/ 1/2" x 10", 12" & 14" helical	25	97 lbs	\$ 272.65

10'				
HTAH-288-120-8	120" lead w/ 1/2" x 8" helical	25	83 lbs	\$ 196.70
HTAH-288-120-10	120" lead w/ 1/2" x 10" helical	25	87 lbs	\$ 205.70
HTAH-288-120-12	120" lead w/ 1/2" x 12" helical	25	91 lbs	\$ 216.45
HTAH-288-120-14	120" lead w/ 1/2" x 14" helical	25	96 lbs	\$ 233.05
HTAF-288-120-8-10	120" lead w/ 1/2" x 8" & 10" helical	25	93 lbs	\$ 236.10
HTAF-288-120-10-12	120" lead w/ 1/2" x 10" & 12" helical	25	101 lbs	\$ 255.85
HTAF-288-120-12-14	120" lead w/ 1/2" x 12" & 14" helical	25	110 lbs	\$ 283.20
HTAF-288-120-8-10-12	120" lead w/ 1/2" x 8", 10" & 12" helical	25	107 lbs	\$ 286.25
HTAF-288-120-10-12-14	120" lead w/ 1/2" x 10", 12" & 14" helical	25	120 lbs	\$ 322.60



2-7/8" Extensions

TAE-288-36	36" Extension	50	26 lbs	\$ 82.30
TAE-288-60	60" Extension	50	41 lbs	\$ 111.85
TAE-288-84	84" Extension	50	56 lbs	\$ 140.05
TAE-288-120	120" Extension	50	79 lbs	\$ 187.05

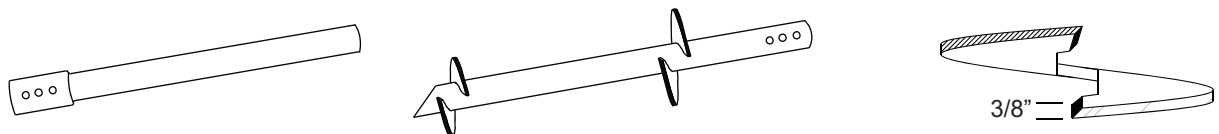
3-1/2" Round "Helical Torque Anchor™" with 3/8" Helical Plate

13,000 ft-lb

Item	Description	Bdl Qty	Weight	Price
5'				
TAH-350-60-10	60" lead w / 3/8" x 10" helical	25	59 lbs	\$170.30
TAH-350-60-12	60" lead w / 3/8" x 12" helical	25	62 lbs	\$177.90
TAH-350-60-14	60" lead w / 3/8" x 14" helical	25	66 lbs	\$187.00
TAF-350-60-8-10	60" lead w / 3/8" x 8" & 10" helical	25	64 lbs	\$197.05
TAF-350-60-10-12	60" lead w / 3/8" x 10" & 12" helical	25	70 lbs	\$211.05
TAF-350-60-12-14	60" lead w / 3/8" x 12" & 14" helical	25	75 lbs	\$226.95

Item	Description	Bdl Qty	Weight	Price
7'				
TAH-350-84-10	84" lead w / 3/8" x 10" helical	25	79 lbs	\$217.55
TAH-350-84-12	84" lead w / 3/8" x 12" helical	25	83 lbs	\$225.50
TAH-350-84-14	84" lead w / 3/8" x 14" helical	25	86 lbs	\$234.25
TAF-350-84-8-10	84" lead w / 3/8" x 8" & 10" helical	25	84 lbs	\$244.30
TAF-350-84 -10-12	84" lead w / 3/8" x 10" & 12" helical	25	90 lbs	\$258.30
TAF-350-84-12-14	84" lead w / 3/8" x 12" & 14" helical	25	95 lbs	\$274.20
TAF-350-84-8-10-12	84" lead w / 3/8" x 8", 10" & 12" helical	25	95 lbs	\$288.15
TAF-350-84-10-12-14	84" lead w / 3/8" x 10", 12" & 14" helical	25	108 lbs	\$310.50

Item	Description	Bdl Qty	Weight	Price
10'				
TAH-350-120-10	120" lead w / 3/8" x 10" helical	25	110 lbs	\$291.95
TAH-350-120-12	120" lead w / 3/8" x 12" helical	25	113 lbs	\$299.55
TAH-350-120-14	120" lead w / 3/8" x 14" helical	25	117 lbs	\$308.65
TAF-350-120-8-10	120" lead w / 3/8" x 8" & 10" helical	25	115 lbs	\$318.70
TAF-350-120-10-12	120" lead w / 3/8" x 10" & 12" helical	25	121 lbs	\$332.70
TAF-350-120-12-14	120" lead w / 3/8" x 12" & 14" helical	25	126 lbs	\$348.60
TAF-350-120-8-10-12	120" lead w / 3/8" x 8", 10" & 12" helical	25	125 lbs	\$362.50
TAF-350-120-10-12-14	120" lead w / 3/8" x 10", 12" & 14" helical	25	133 lbs	\$384.50



3-1/2" Extension

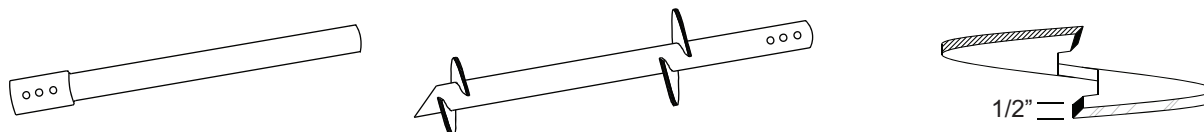
TAE-350-36	36" Extension	40	36 lbs	\$120.40
TAE-350-60	60" Extension	40	57 lbs	\$160.25
TAE-350-84	84" Extension	40	77 lbs	\$199.85
TAE-350-120	120" Extension	40	108 lbs	\$265.20

3-1/2" Round "Helical Torque Anchor™" with 1/2" Helical Plate 13,000 ft-lb

Item	Description	Bdl Qty	Weight	Price
5'				
HTAH-350-60-10	60" lead w / 1/2" x 10" helical	25	61 lbs	\$ 180.45
HTAH-350-60-12	60" lead w / 1/2" x 12" helical	25	66 lbs	\$ 191.50
HTAH-350-60-14	60" lead w / 1/2" x 14" helical	25	71 lbs	\$ 208.15
HTAF-350-60-8-10	60" lead w / 1/2" x 8" & 10" helical	25	68 lbs	\$ 212.00
HTAF-350-60-10-12	60" lead w / 1/2" x 10" & 12" helical	25	76 lbs	\$ 231.75
HTAF-350-60-12-14	60" lead w / 1/2" x 12" & 14" helical	25	85 lbs	\$ 259.10

7'				
HTAH-350-84-10	84" lead w / 1/2" x 10" helical	25	82 lbs	\$ 228.10
HTAH-350-84-12	84" lead w / 1/2" x 12" helical	25	86 lbs	\$ 238.80
HTAH-350-84-14	84" lead w / 1/2" x 14" helical	25	91 lbs	\$ 255.45
HTAF-350-84-8-10	84" lead w / 1/2" x 8" & 10" helical	25	91 lbs	\$ 265.05
HTAF-350-84-10-12	84" lead w / 1/2" x 10" & 12" helical	25	96 lbs	\$ 283.65
HTAF-350-84-12-14	84" lead w / 1/2" x 12" & 14" helical	25	105 lbs	\$ 311.00
HTAF-350-84-8-10-12	84" lead w / 1/2" x 8", 10" & 12" helical	25	102 lbs	\$ 306.30
HTAF-350-84-10-12-14	84" lead w / 1/2" x 10", 12" & 14" helical	25	115 lbs	\$ 354.30

10'				
HTAH-350-120-10	120" lead w / 1/2" x 10" helical	25	113 lbs	\$ 299.35
HTAH-350-120-12	120" lead w / 1/2" x 12" helical	25	117 lbs	\$ 310.10
HTAH-350-120-14	120" lead w / 1/2" x 14" helical	25	122 lbs	\$ 326.75
HTAF-350-120-8-10	120" lead w / 1/2" x 8" & 10" helical	25	122 lbs	\$ 336.30
HTAF-350-120-10-12	120" lead w / 1/2" x 10" & 12" helical	25	127 lbs	\$ 354.90
HTAF-350-120-12-14	120" lead w / 1/2" x 12" & 14" helical	25	136 lbs	\$ 382.30
HTAF-350-120-8-10-12	120" lead w / 1/2" x 8", 10" & 12" helical	25	133 lbs	\$ 377.55
HTAF-350-120-10-12-14	120" lead w / 1/2" x 10", 12" & 14" helical	25	146 lbs	\$ 413.95



3-1/2" Extension

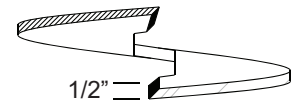
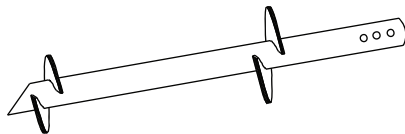
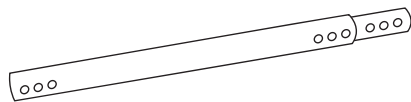
TAE-350-36	36" Extension	40	36 lbs	\$ 120.40
TAE-350-60	60" Extension	40	57 lbs	\$ 160.25
TAE-350-84	84" Extension	40	77 lbs	\$ 199.85
TAE-350-120	120" Extension	40	108 lbs	\$ 265.20

4-1/2" Round "Helical Torque Anchor™" with 1/2" Helical Plate 22,000 ft-lb

Item	Description	Bdl Qty	Weight	Price
5'				
HTAH-450-60-10	60" lead w/ 1/2" x 10" helical	16	85 lbs	\$ 247.25
HTAH-450-60-12	60" lead w/ 1/2" x 12" helical	16	89 lbs	\$ 257.95
HTAH-450-60-14	60" lead w/ 1/2" x 14" helical	16	94 lbs	\$ 274.60
HTAF-450-60-10-12	60" lead w/ 1/2" x 10" & 12" helical	16	99 lbs	\$ 298.15
HTAF-450-60-12-14	60" lead w/ 1/2" x 12" & 14" helical	16	109 lbs	\$ 325.90

7'				
HTAH-450-84-10	84" lead w/ 1/2" x 10" helical	16	115 lbs	\$ 318.30
HTAH-450-84-12	84" lead w/ 1/2" x 12" helical	16	119 lbs	\$ 327.45
HTAH-450-84-14	84" lead w/ 1/2" x 14" helical	16	124 lbs	\$ 345.65
HTAF-450-84-10-12	84" lead w/ 1/2" x 10" & 12" helical	16	129 lbs	\$ 369.20
HTAF-450-84-12-14	84" lead w/ 1/2" x 12" & 14" helical	16	139 lbs	\$ 396.95
HTAF-450-84-10-12-14	84" lead w/ 1/2" x 10", 12" & 14" helical	16	149 lbs	\$ 437.10

10'				
HTAH-450-120-10	120" lead w/ 1/2" x 10" helical	16	160 lbs	\$ 423.30
HTAH-450-120-12	120" lead w/ 1/2" x 12" helical	16	164 lbs	\$ 434.00
HTAH-450-120-14	120" lead w/ 1/2" x 14" helical	16	169 lbs	\$ 450.65
HTAF-450-120-10-12	120" lead w/ 1/2" x 10" & 12" helical	16	174 lbs	\$ 474.20
HTAF-450-120-12-14	120" lead w/ 1/2" x 12" & 14" helical	16	184 lbs	\$ 501.95
HTAF-450-120-10-12-14	120" lead w/ 1/2" x 10", 12" & 14" helical	16	194 lbs	\$ 542.15



4-1/2" Extensions

TAE-450-36	36" Extension	20	73 lbs	\$ 257.80
TAE-450-60	60" Extension	20	102 lbs	\$ 313.05
TAE-450-84	84" Extension	20	132 lbs	\$ 375.45
TAE-450-120	120" Extension	20	177 lbs	\$ 458.90

Light Pole Anchor Configurations							
NOTE: 4" DIA FOUNDATION ANCHOR CONFIGURATION IS SIMILAR - NOT SHOWN							
Part Number	Shaft Size	Helix Diameter	Length	Ultimate-Limit Capacity at SPT ≥ 5 bpf		Weight	Price
				Overturning Moment	Lateral Load		
LPS-400-60 12	4"	12"	5'-0"	< 5,000 ft-lb	< 500 lb	88 lbs	\$ 267.00
LPS-663-60 12	6-5/8" x 0.280" Wall	12"	5'-0"	< 12,000 ft-lb	< 1,000 lb	156 lbs	\$ 488.20
LPS-663-84 14		14"	7'-0"			209 lbs	\$ 599.30
LPS-863-60 14	8-5/8" x 0.250" Wall	14"	5'-0"	< 17,500 ft-lb	< 1,200 lb	177 lbs	\$ 560.65
LPS-863-84 14			7'-0"			222 lbs	\$ 649.65
HDW-LPS-100	Hardware Kit Required for each Light Pole (Kit Includes: 4 - 1" x 4" Carriage Bolt, Washers, & Nuts)					4 lbs	\$ 37.50/e

Notes: Standard Product Show n Includes:

Standard Integral Pile Cap - 1" thick x 15-3/4" Square pile cap welded to shaft

Standard 1-1/8" slots are designed for 1" diameter mounting bolts

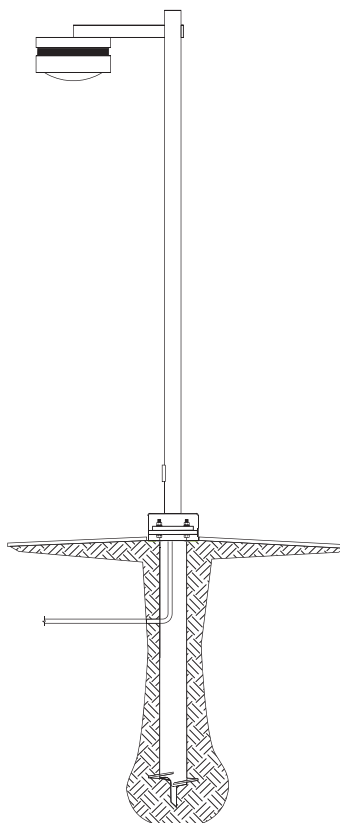
Cable Access Slot available on both sides of shaft – (2" x 10" Standard)

Supplied Hot Dip Galvanized Per ASTM A123 Grade 100.

Stinger End (LPS) has single chamfer on bottom of shaft with a "stinger" for alignment

Special Product Designs Are Available: We fabricate custom light pole supports to your design specifications

Please allow extra time for Special Product Designs.



Helical Underpinning Brackets

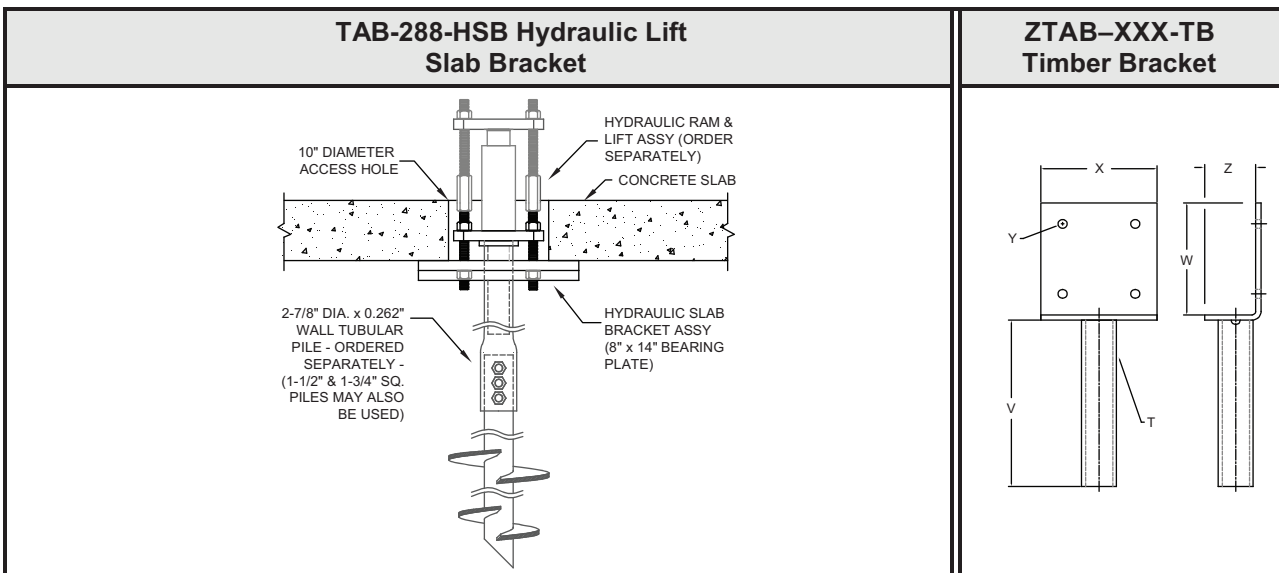
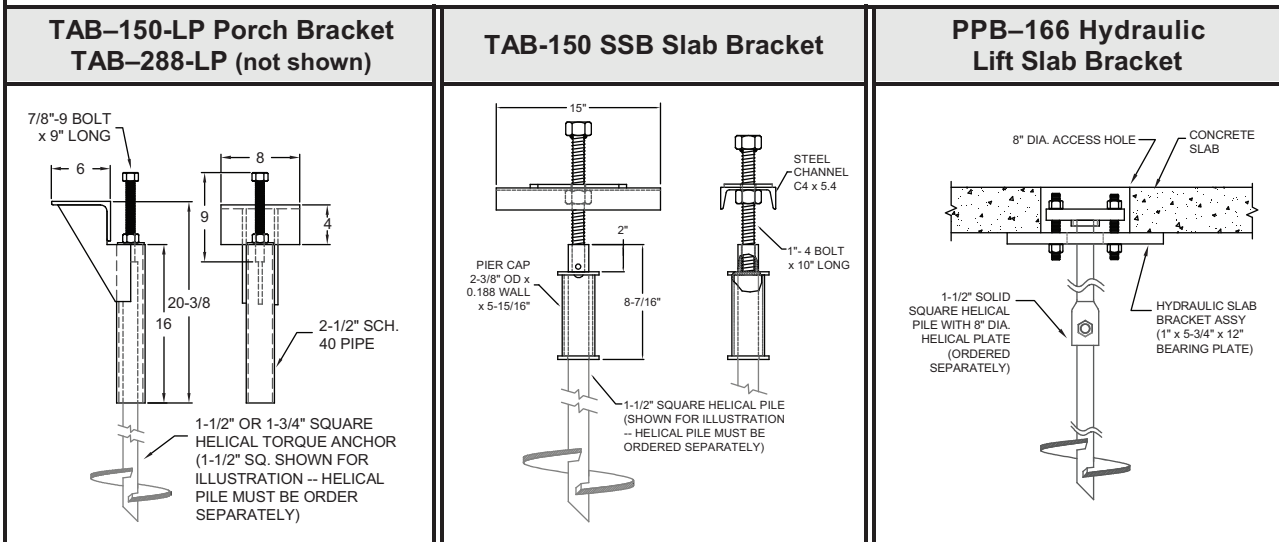
Torque Anchor™ Utility Brackets			
TAB-150-SUB Standard Duty & TAB-288-MUB Light Weight Utility Bracket			
Shaft Size:	1-1/2" Sq.	2-7/8" Dia.	
Bracket Designation:	TAB-150- SUB	TAB-288-MUB	
Pier Cap:	TAB-150 -TT T-Tube	TAB-288 -TTM T-Tube	
Ultimate-Limit Capacity:	40,000 lb. ¹		
Bearing Area:	68-1/4 sq. inches		
Standard Lift Capacity:	4 inches		

TAB-LUB Large Utility Bracket				
Shaft Size:	1-3/4" Sq.	2-7/8" Dia	3-1/2" Dia	
Bracket Designation:	TAB-LUB	TAB-LUB	TAB-LUB	
Pier Cap. ³	TAB-175-TT T-Tube	TAB-288-TT T-Tube	TAB-350-TT T-Tube	
Ultimate-Limit Capacity:	98,000 lb. ¹			
Bearing Area:	75 square inches			
Standard Lift Capacity:	5-1/2 inches			
<p>NOTES:</p> <p>1. These are mechanical capacity ratings. Foundation strength and soil capacity will dictate actual capacity.</p> <p>2. Bracket Lift Height Can Easily Be Increased By Ordering Longer Continuously Threaded Bracket Rods.</p> <p>3. The TAB-LUB Bracket is the same component for three different shaft sizes; the Pile Cap configuration varies to accommodate the appropriate shaft for the application.</p>				
				<p>DETAIL OF TAB-LUB & TAB-288-TT SUPPORT SYSTEM ASSEMBLY</p>

UNDERPINNING BRACKETS

Part No.	Description	Capacity	Pallet Qty.	Weight lbs	Price
TAB-150-SUB	HELICAL BRACKET STANDARD w/ 150 T-TUBE	40,000 lbs	25	58 lbs	\$201.40
TAB-288-MUB	LIGHT WEIGHT UTILITY BRACKET 288 T-TUBE	40,000 lbs	25	56 lbs	\$204.85
TAB-175-LUB	HELICAL BRACKET LARGE W/ 175 T-TUBE	98,000 lbs	25	122 lbs	\$339.10
TAB-288-LUB	HELICAL BRACKET LARGE W/ 288 T-TUBE	98,000 lbs	25	117 lbs	\$337.85
TAB-350-LUB	HELICAL BRACKET LARGE W/ 350 T-TUBE	98,000 lbs	25	123 lbs	\$359.65

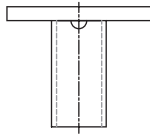
Torque Anchor™ Porch & Slab Brackets



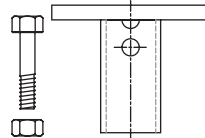
Product Designation	Fits Torque Anchor	Ult Limit Capacity	Standard Lift Capacity	Weight (lbs)	Price
TAB -150 -LP	1-1/2" Sq	9,000 lbs	4-1/2"	25	\$ 82.35
TAB -288 -LP	2-7/8" OD Rd	16,000 lbs	4-1/2"	28	\$ 114.80
TAB -150 -SSB	1-1/2" Sq	8,000 lbs	4"	16	\$ 65.15
PPB -166 (8" Dia Hole)	1-1/2" Sq	22,000 lbs	4"	37	\$ 89.90
	1-3/4" Sq				
	2 - 7/8" OD Rd				
PPB -166 -G (8" Dia Hole)	1-1/2" Sq	22,000 lbs	4"	37	\$ 101.25
	1-3/4" Sq				
	2 - 7/8" OD Rd				
TAB -288 -HSB (10" Dia Hole)	2 - 7/8" OD Rd	40,000 lbs	4"	65	\$ 163.40
TAB -288 -HSBG (10" Dia Hole)	2 - 7/8" OD Rd	40,000 lbs	4"	65	\$ 189.35
TAB -150 --TB	1-1/2" Sq	Varies	N/A	15	\$ 55.00
TAB -288 --TB	2 - 7/8" OD Rd	Varies	N/A	23	\$ 74.35

POR = Price On Request

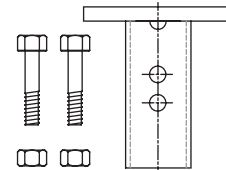
Torque Anchor™ Pile Caps



Compression Illustration "A" (No Bolts)



Tension Illustration "B" (One Bolt)



Tension Illustration "C" (Two Bolts)

Part Number	Illustration	Pile Size	Bearing Plate	Pile Sleeve	Ultimate Limit Capacity Compressive	Ultimate Limit Capacity Tension	Weight	Price
TAB -150 -NC	A	1-1/2" Sq Bar	1/2" x 6" x 6"	2-1/2" x 2-1/2" x 1/4" 5-3/4" Long	70,000 lbs	N/A	7	\$ 28.65
TAB -150 -NCG	A				70,000 lbs		7	\$ 30.65
TAB -150 -T	B				70,000 lbs	63,000 lbs	8	\$ 31.75
TAB -150 -TG	B				70,000 lbs	63,000 lbs	8	\$ 33.95
TAB -175 -NC	A	1-3/4" Sq Bar	3/4" x 8" x 8"	2-1/2" x 2-1/2" x 1/4" 7-3/4" Long	100,000 lbs	N/A	17	\$ 44.55
TAB -175 -NCG	A				100,000 lbs		17	\$ 49.45
TAB -175 -T	B				100,000 lbs	80,000 lbs	18	\$ 46.75
TAB -175 -TG	B				100,000 lbs	80,000 lbs	18	\$ 51.95
TAB -200 -NC	A	2" Sq Bar	1" x 8" x 8"	3" x 3" x 3/8" 7-3/4" Long	150,000 lbs	N/A	34	\$ 66.95
TAB -200 -NCG	A				150,000 lbs		34	\$ 77.85
TAB -200 -T	B				150,000 lbs	120,000 lbs	36	\$ 83.80
TAB -200 -TG	B				150,000 lbs	120,000 lbs	36	\$ 94.25
TAB -288L -NC	A	2-7/8" Dia Tubular	1/2" x 6" x 6"	3-1/2" Dia x 0.216" 5-3/4" Long	55,000 lbs	N/A	9	\$ 32.30
TAB -288L -NCG	A				55,000 lbs		9	\$ 37.95
TAB -288L -T	B				55,000 lbs	40,000 lbs	10	\$ 40.85
TAB -288L -TG	B				55,000 lbs	40,000 lbs	10	\$ 43.75
TAB -288 -NC	A	2-7/8" Dia Tubular	3/4" x 8" x 8"	3-1/2" Dia x 0.216" 7-3/4" Long	100,000 lbs	N/A	19	\$ 45.25
TAB -288 -NCG	A				100,000 lbs		19	\$ 51.50
TAB -288 -T	C				100,000 lbs	80,000 lbs	21	\$ 54.90
TAB -288 -TG	C				100,000 lbs	80,000 lbs	21	\$ 60.95
TAB -350 -NC	A	3-1/2" Dia Tubular	3/4" x 8" x 8"	4"-1/2" Dia x 0.337" 7-3/4" Long	115,000 lbs	N/A	24	\$ 57.20
TAB -350 -NCG	A				115,000 lbs		24	\$ 64.10
TAB -350 -T	C				115,000 lbs	97,000 lbs	26	\$ 73.95
TAB -350 -TG	C				115,000 lbs	97,000 lbs	26	\$ 81.55
TAB -450 -NC	A	4-1/2" Dia Tubular	1" x 10" x 10"	5-9/16" Dia x 0.375" 7-3/4" Long	160,000 lbs	N/A	45	\$ 101.45
TAB -450 -NCG	A				160,000 lbs		45	\$ 114.40
TAB -450 -T	C				160,000 lbs	143,000 lbs	49	\$ 124.35
TAB -450 -TG	C				160,000 lbs	143,000 lbs	49	\$ 138.45

Torque Anchor™ Transitions & Wall Plates					
Transition Assemblies				Stamped Wall Plates	
<p>TAT-150</p> <p>TAT-150-HD TAT-175-HD TAT-200-HD</p>	TAT-150 Output Thd. Major Dia. 1" (B-12 Coil Rod)	TAT-150-HD Output Thd. Major Dia. 1-1/8" (WF-8)	TAT-175-HD Output Thd. Major Dia. 1-3/8" (WF-10)	TAT-200-HD Output Thd. Major Dia. 1-1/2" (R71-10)	<p>PA-LWP 12" x 26" 2.2 ft² Bearing \$37.35</p> <p>Wall Plates include: Flat Washer 3/16" x 4" x 6" Hot Dip Galv.</p> <p>Clamping Capacity: 8,250 lb</p>
	Plate Washer 3/8" x 5" x 5"	Plate Washer 3/8" x 5" x 5"	Plate Washer 3/8" x 6" x 6"	Plate Washer Not Supplied	
	Ultimate-Limit Capacity 38,000 lbs	Ultimate-Limit Capacity 70,000 lbs	Ultimate-Limit Capacity 99,000 lbs	Ultimate-Limit Capacity 150,000 lbs	
<p>TAT-288 TAT-350 TAT-450</p>	TAT-288L Output Thd. Major Dia. 1-1/8" (WF-8)	TAT-288 Output Thd. Major Dia. 1-3/8" (WF-10)	TAT-350 Output Thd. Major Dia. 1-3/8" (WF-10)	TAT-450 Output Thd. Major Dia. 1-1/2" (WF-11)	Transition Notes: <ol style="list-style-type: none"> Transitions listed are standard items; usually available from stock. Hot dip galvanized per ASTM A123 Grade 100 The capacities listed are mechanical ratings. All Transitions are supplied with a All Thread Rod, Nut and Mounting Hardware. Square shaft transitions also have a flat washer included with the exception of the TAT-200 Transition. (See Sketch Below)
	Plate Washer 3/8" x 5" x 5"	Plate Washer Not Supplied. Order Separately to the Engineering Requirements			
	Ultimate-Limit Capacity 60,000 lbs	Ultimate-Limit Capacity 100,000 lbs	Ultimate-Limit Capacity 120,000 lbs	Ultimate-Limit Capacity 140,000 lbs	
<p>The sketch to the right shows the components that are shipped with solid bar transition assemblies. The transition and the hardware required to attach the transition to the tieback will vary depending upon the product ordered. Please refer to the table above for additional details. Tubular transitions and TAT-200 do not include a flat wall plate. As the angle of installation usually varies generally from 15° to 30°, bevel washers should be ordered separately.</p>					

TRANSITIONS

Part No.	Description	Capacity	Qty.	Weight	Price
TAT-150	TRANSITION KIT 150 W/ 22" 1" COIL ROD	38,000 lbs	5	16	\$51.25
TAT-150 -HD	TRANSITION KIT HD 150 W/ 48" WF8	70,000 lbs	5	26	\$106.95
TAT-175 -HD	TRANSITION KIT 175 W/ 48" WF10	99,000 lbs	5	41	\$153.30
TAT-200 -HD	TRANSITION KIT 200 W/ 48" R71-10	150,000 lbs	5	41	\$199.25
TAT-288L	TRANSITION KIT 288 L W/ 48" WF8	60,000 lbs	5	18	\$85.85
TAT-288	TRANSITION KIT 288 W/ 48" WF10	100,000 lbs	5	31	\$124.30
TAT-350	TRANSITION KIT 350 W/ 48" WF10	120,000 lbs	5	33	\$154.00
TAT-450	TRANSITION KIT 450 W/ 48" WF11	140,000 lbs	5	45	\$220.75

1-1/2" SQUARE BAR HELICAL SOIL NAILS (Galv.)

Part No.	Length	Helix Config.	Bundle Qty	Weight	Price
LEAD SECTION					
TAS-150-60 06-06	5'	2	25	43 lbs	\$104.10
TAS-150-60 08-08	5'	2	25	48 lbs	\$115.70
TAS-150-84 06-06-06	7'	3	25	62 lbs	\$146.40
TAS-150-84 08-08-08	7'	3	25	68 lbs	\$162.45

EXTENSIONS

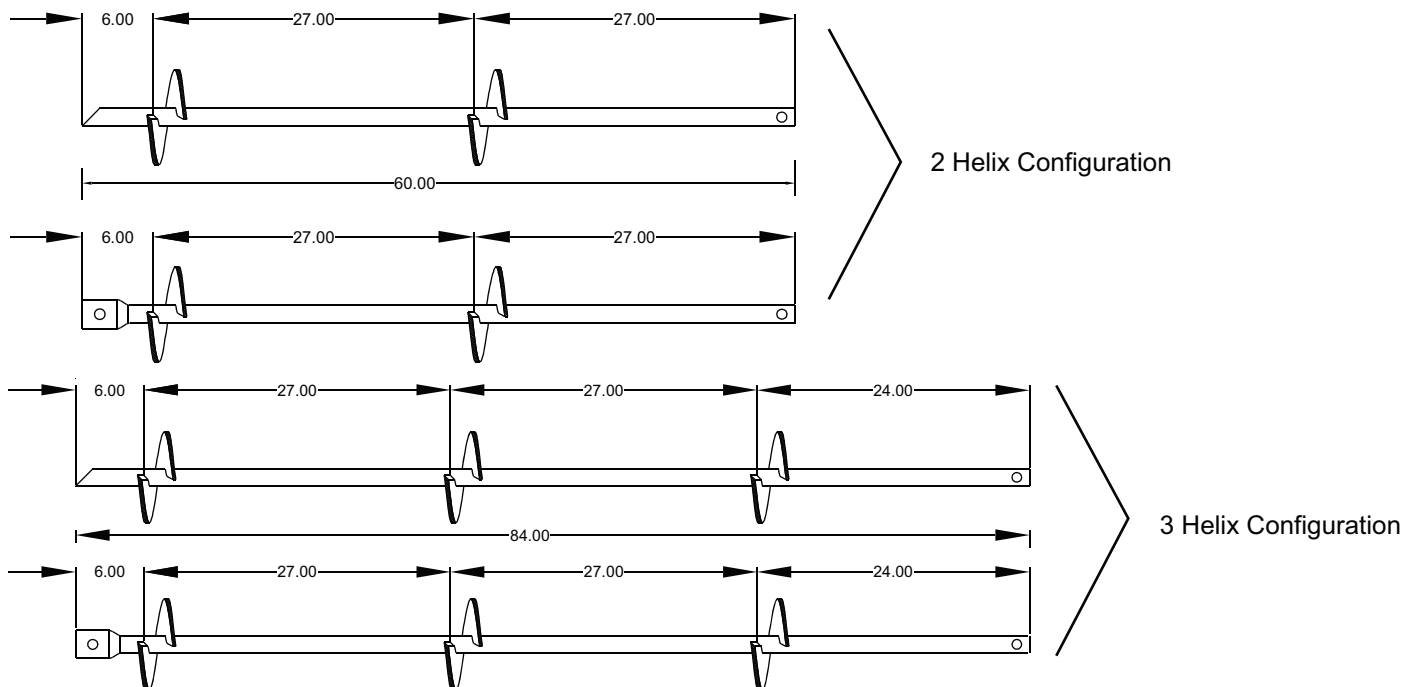
TASE-150-60 06-06	5'	2	25	46 lbs	\$113.65
TASE-150-60 08-08	5'	2	25	50 lbs	\$122.45
TASE-150-84 06-06-06	7'	3	25	64 lbs	\$149.45
TASE-150-84 08-08-08	7'	3	25	70 lbs	\$165.95

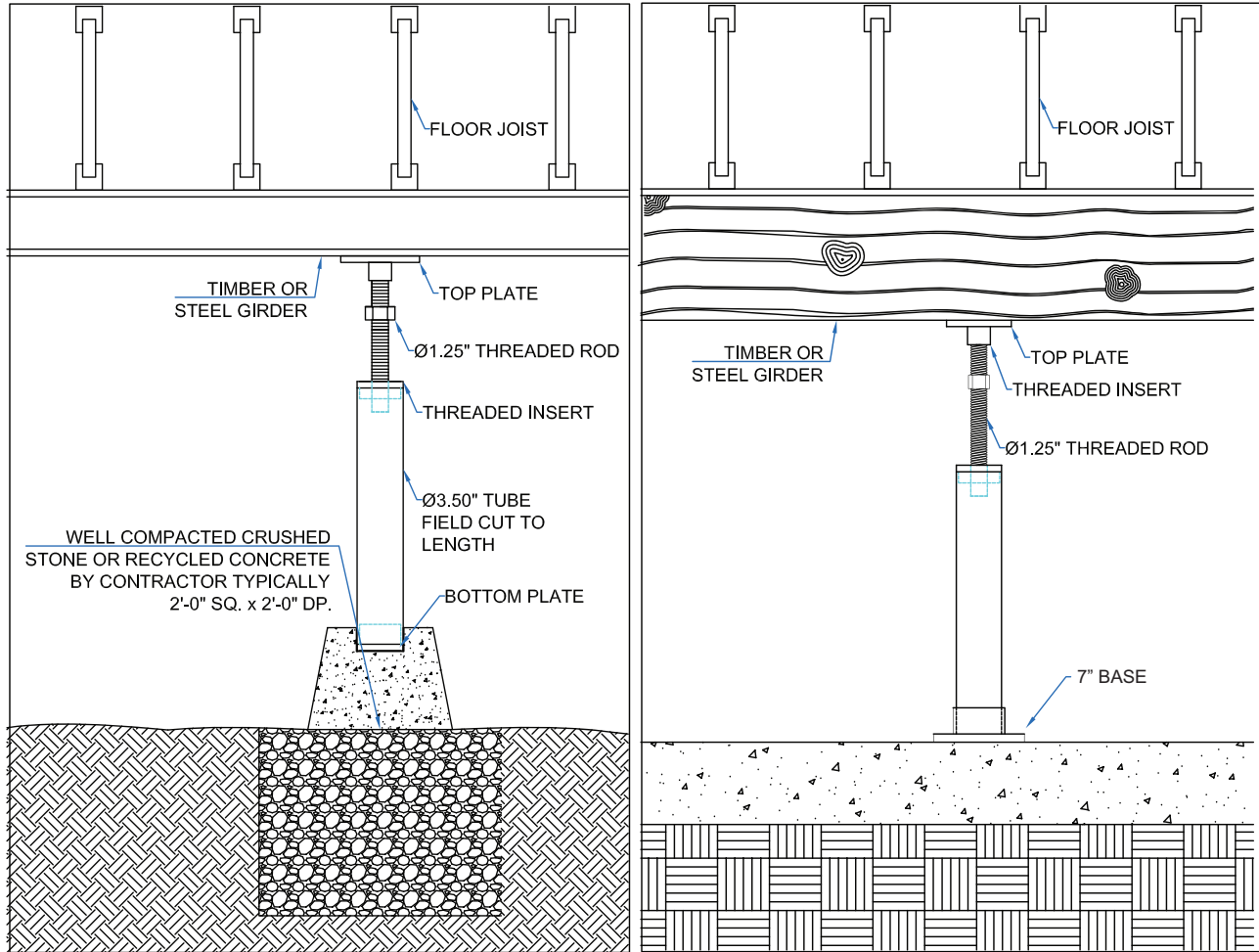
1-3/4" SQUARE BAR HELICAL SOIL NAILS (Galv.)

Part No.	Length	Helix Config.	Bundle Qty	Weight	Price
LEAD SECTION					
TAS-175-60 06-06	5'	2	25	57 lbs	\$124.35
TAS-175-60 08-08	5'	2	25	61 lbs	\$134.40
TAS-175-84 06-06-06	7'	3	25	80 lbs	\$172.90
TAS-175-84 08-08-08	7'	3	25	86 lbs	\$187.85

EXTENSIONS

TASE-175-60 06-06	5'	2	25	59 lbs	\$130.50
TASE-175-60 08-08	5'	2	25	63 lbs	\$139.35
TASE-175-84 06-06-06	7'	3	25	83 lbs	\$183.10
TASE-175-84 08-08-08	7'	3	25	90 lbs	\$197.15





PPB -103 Crawl Space Jack

PPB -107 Crawl Space Jack

PPB -103 Crawl Space Jack

Part Number	Description	Weight Each	Bundle Quantity	Price Each
PPB - 103	PPB - 103 Assembly Black	17 lbs	1	\$ 93.15
PPB - 350 - CSP	3 - 1/2" OD x 42" length Pipe Galv	19 lbs	1	\$ 38.70

Call for Custom Pipe Length Price

Pipe Section Sold Separatly.

PPB -107 Crawl Space Jack

Part Number	Description	Weight Each	Bundle Quantity	Price Each
PPB - 107	PPB - 107 Assembly Black	23 lbs	1	\$ 106.30
PPB - 350 - CSP	3 - 1/2" OD x 42" length Pipe Galv	19 lbs	1	\$ 38.70

Call for Custom Pipe Length Price

Pipe Section Sold Separatly.

Medium C-Channel Kits

Item	Description	Weight	<47 Kits	>48 Kits
PCM-108-108	108"C CHANNEL,MED CLEAT,108" ROD	126 lbs	\$257.10	\$233.75
PCM-108-60	60"C CHANNEL,MED CLEAT,108" ROD	91 lbs	\$186.30	\$170.50
PCM-108-72	72"C CHANNEL,MED CLEAT,108" ROD	99 lbs	\$206.10	\$188.15
PCM-108-84	84"C CHANNEL,MED CLEAT,108" ROD	109 lbs	\$223.95	\$204.15
PCM-108-96	96"C CHANNEL,MED CLEAT,108" ROD	116 lbs	\$242.65	\$220.85
PCM-8484-108	108"C CHANNEL,MED CLEAT,2-84" RODS	148 lbs	\$281.60	\$256.30
PCM-8484-60	60"C CHANNEL,MED CLEAT,2-84" RODS	115 lbs	\$211.00	\$193.25
PCM-8484-72	72"C CHANNEL,MED CLEAT,2-84" RODS	123 lbs	\$230.70	\$210.80
PCM-8484-84	84"C CHANNEL,MED CLEAT,2-84" RODS	133 lbs	\$248.75	\$226.90
PCM-8484-96	96"C CHANNEL,MED CLEAT,2-84" RODS	140 lbs	\$259.30	\$236.30

PCM Kits include 24" x 16" exterior cleat, specified length of C-Channel, 4" x 6" washer, (2) 3/4" square nuts, 3/4" x 3" coupler (not included in the 108 series) and 3/4" B-7 threaded rod(s)

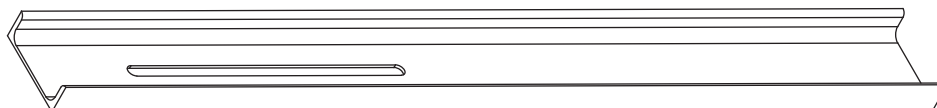
Large C-Channel Kits

PCL-108-108	108"C CHANNEL,LRG CLEAT,108" ROD	126 lbs	\$253.70	\$230.95
PCL-108-60	60"C CHANNEL,LRG CLEAT,108" ROD	93 lbs	\$192.40	\$176.40
PCL-108-72	72"C CHANNEL,LRG CLEAT,108" ROD	101 lbs	\$211.85	\$193.80
PCL-108-84	84"C CHANNEL,LRG CLEAT,108" ROD	111 lbs	\$229.80	\$209.80
PCL-108-96	96"C CHANNEL,LRG CLEAT,108" ROD	118 lbs	\$248.45	\$226.45
PCL-8484-108	108"C CHANNEL,LRG CLEAT,2-84" RODS	141 lbs	\$286.55	\$261.10
PCL-8484-60	60"C CHANNEL,LRG CLEAT,2-84" RODS	109 lbs	\$216.05	\$198.15
PCL-8484-72	72"C CHANNEL,LRG CLEAT,2-84" RODS	118 lbs	\$235.95	\$215.90
PCL-8484-84	84"C CHANNEL,LRG CLEAT,2-84" RODS	126 lbs	\$253.70	\$231.75
PCL-8484-96	96"C CHANNEL,LRG CLEAT,2-84" RODS	133 lbs	\$272.35	\$248.40

PCL Kits include 24" x 24" exterior cleat, specified length of C-Channel, 4" x 6" washer, (2) 3/4" square nuts, 3/4" x 3" coupler (not included in the 108 series) and 3/4" B-7 threaded rod(s)

C-Channel with Bottom Clip

				EACH
CBM-682-060	SLOTTED C CHANNEL 60" W/ BOTTOM CLP	42 lbs		\$78.00
CBM-682-072	SLOTTED C CHANNEL 72" W/ BOTTOM CLP	52 lbs		\$92.50
CBM-682-084	SLOTTED C CHANNEL 84" W/ BOTTOM CLP	60 lbs		\$110.10
CBM-682-096	SLOTTED C CHANNEL 96" W/ BOTTOM CLP	68 lbs		\$124.80
CBM-682-108	SLOTTED C CHANNEL 108" W/ BOTTOM CLP	75 lbs		\$138.35



Large Plate Anchor Kits

Part Number	Description	Weight Each	Qty 47 Kits or less	Qty 48 Kits or more
PAL - 108	kit w/ 1-108" rod	57 lbs	\$ 141.90	\$ 126.70
PAL - 8484	kit w/ 2-84" rods	64 lbs	\$ 165.50	\$ 147.75
PAL - 8454	kit w/ 84" & 54" rods	61 lbs	\$ 156.40	\$ 139.65
PAL - 5454	kit w/ 2-54" rods	57 lbs	\$ 147.20	\$ 131.45

PAL Kits include 12" x 26" interior wall plate, 24"x 24" exterior plate anchor, 4"x 6" washer, 2-3/4" square nuts, 3/4" x 3" coupler (not included on the 108 Series), and 3/4" B-7 threaded rod(s).

Medium Plate Anchor Kits

Part Number	Description	Weight Each	Qty 47 Kits or less	Qty 48 Kits or more
PAM - 108	kit w/ 1-108" rod	53 lbs	\$ 136.75	\$ 122.10
PAM - 8484	kit w/ 2-84" rods	61 lbs	\$ 159.25	\$ 142.20
PAM - 8454	kit w/ 84" & 54" rods	57 lbs	\$ 150.20	\$ 134.10
PAM - 5454	kit w/ 2-54" rods	54 lbs	\$ 141.05	\$ 125.95

PAM Kits include 12" x 26" interior wall plate, 24"x 16" exterior plate anchor, 4"x 6" washer, 2-3/4" square nuts, 3/4" x 3" coupler (not included on the 108 Series), and 3/4" B-7 threaded rod(s).

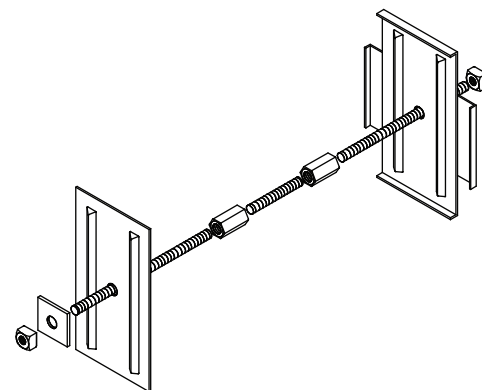
Small Plate Anchor Kits

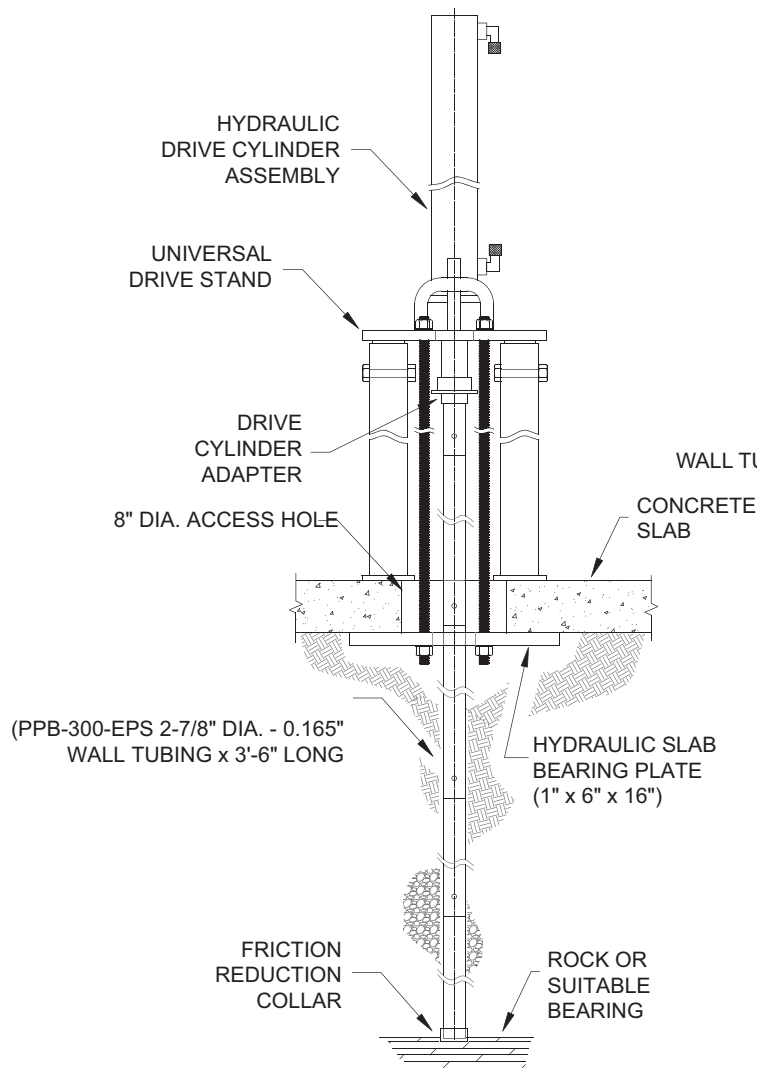
Part Number	Description	Weight Each	Qty 47 Kits or less	Qty 48 Kits or more
PAS - 108	kit w/ 1-108" rod	49 lbs	\$ 129.25	\$ 115.40
PAS - 8484	kit w/ 2-84" rods	57 lbs	\$ 151.55	\$ 135.30
PAS - 8454	kit w/ 84" & 54" rods	53 lbs	\$ 142.25	\$ 127.00
PAS - 5454	kit w/ 2-54" rods	56 lbs	\$ 133.10	\$ 118.85

PAS Kits include 12" x 26" interior wall plate, 16" x 16" exterior plate anchor, 4"x 6" washer, 2-3/4" square nuts, 3/4" x 3" coupler (not included on the 108 Series), and 3/4" B-7 threaded rod(s).

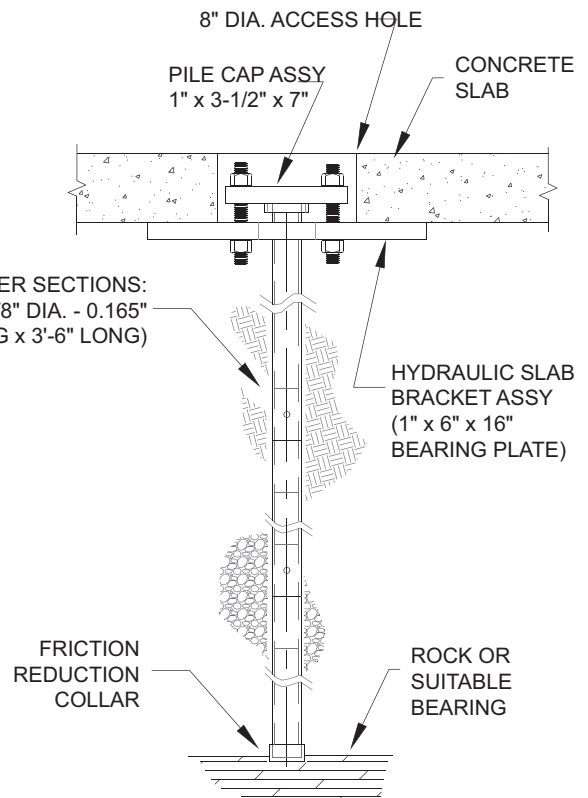
Parts for Plate Anchors

Part Number	Description	Weight Each	Price
PA - LWP	Large Interior Wall Plate 12"x26" Galv	16 lbs	\$ 37.35
PA - LC	Large Exterior Cleat 24" x 24" Galv	25 lbs	\$ 65.30
PA - MC	Medium Exterior Cleat 24" x 16" Galv	22 lbs	\$ 60.35
PA - SC	Small Exterior Cleat 16" x 16" Galv	17 lbs	\$ 51.15
PAR - 108	108" x 3/4" B7 All-Thread Rod Galv	13 lbs	\$ 31.95
PAR - 84	84" x 3/4" B7 All-Thread Rod Galv	11 lbs	\$ 27.35
PAR - 54	54" x 3/4" B7 All-Thread Rod Galv	7 lbs	\$ 17.85
PAN	3/4"-10 Square Nut Galv	0.5 lbs	\$ 0.95
PA - C	Coupler 3/4"-10 x 3"	0.32 lbs	\$ 7.75
PA - Wax	Bowl Wax	17 lbs	\$ 33.60
PA - PSC	Safety Cap for Anchor Rods	0.01 lbs	\$ 0.15
PA - RPT	Rod Point for Anchor Rods	1.25 lbs	\$ 24.25
PAS	Plate anchor Socket	2 lbs	\$ 18.60
PA - TW	Plate Anchor Torquer Wrench	4 lbs	\$ 23.10
PAD - SDS	SDS Anchor Driver Tool	5 lbs	\$ 82.35
PAD - SP	Splined Anchor Driver Tool	5 lbs	\$ 84.80
PA - RP	Rod Puller	17 lbs	\$ 139.95
PAW - 46	4" x 6" Plate Anchor Washer Galv	2 lbs	\$ 7.20





PPB-166 Slab Jack Bracket Assembly



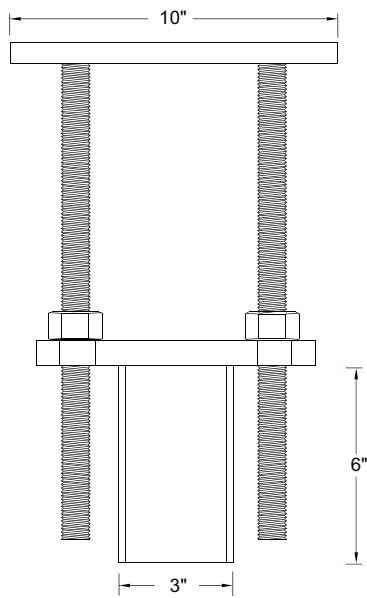
Ultimate-Limit Bracket Capacity: 22,000 lb
(Pier Pipe Sold Separately)

Part Number	Description	Weight Each	Bundle Quantity	Price Each
PPB-166	PPB - 166 Assembly Black	37 lbs	1	\$ 89.90
PPB-166-G	PPB - 166 Assembly Galv	37 lbs	1	\$ 101.25
PPB-300-EPS	Extra Pier Section 2-7/8\"/>			

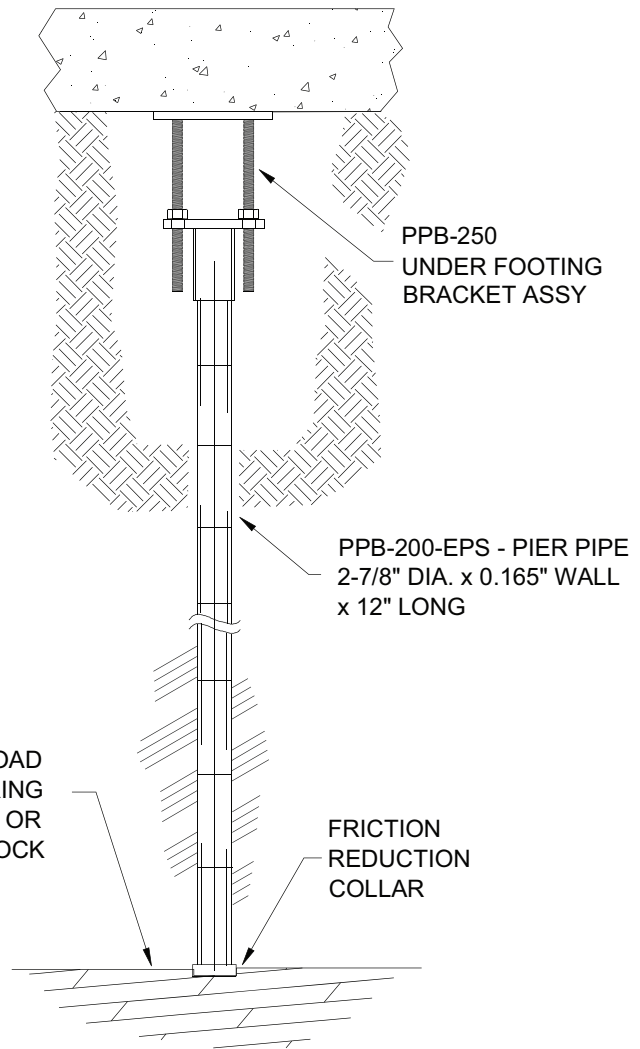
PPB - 166 includes: (1) Bracket includes (1) Pier Cap and (2) 18\"/>

Starter and Extra Pier Sections Sold Separately.

- Ultimate Capacity – 55,000 lb
- Fully Adjustable Unlimited Lift Capability
- Installs From Outside or Inside Structure
- Friction Reduction Collar On Starter Section
- Installs With Portable Equipment
- Installed With Little or No Vibration
- Installs To Rock or Verified Load Bearing Stratum
- U.S.PatentNo.7,044,686
- 100% of Piers Field Load Tested During Installation
- Max 4" Lift



PPB-250
Utility Bracket Details

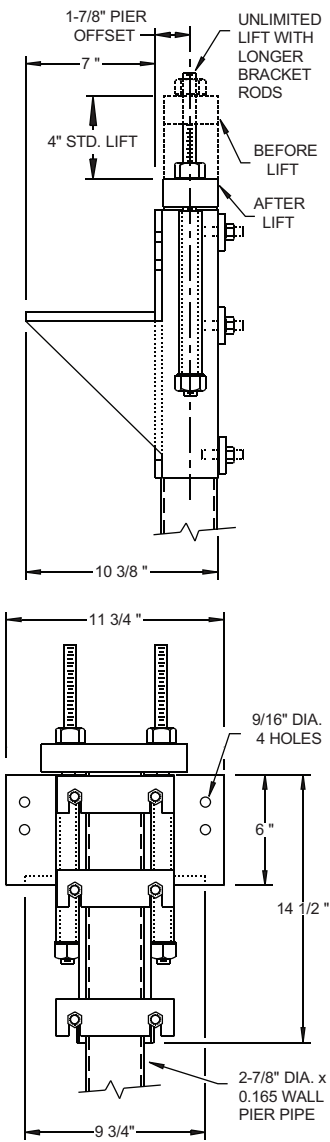


PPB - 250 Steel Pier

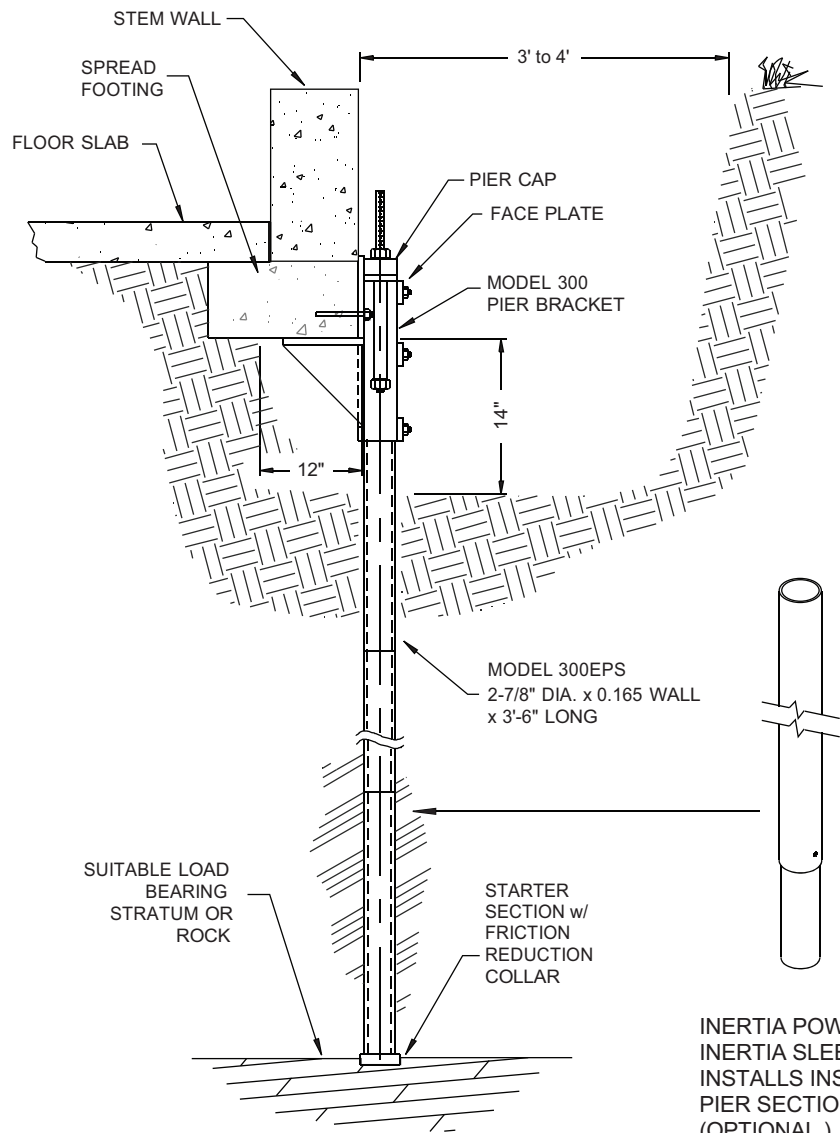
Part Number	Description	Weight Each	Bundle Quantity	Price Each
PPB-250	PPB-250 Assembly Black, Galv Pipe	60 lbs	8	\$172.35
PPB-250-G	PPB-250 Assembly Galv, Galv Pipe	60 lbs	8	\$191.65
PPB-200-EPS	Extra Pier Sections Galv, 12" Long	6.5 lbs	19	\$16.35
PPB-300-PC	Pier Coupler	2.5 lbs	20	\$10.20
PPB-200-S	Starter 2-7/8" OD Galv, 12" Long	4.5 lbs	1	\$16.75

PPB-250 and PPB-250-G Bracket includes (1) Pier Cap and (1) starter with friction reduction ring. Starter and Extra Piers Section are 12" long.

- PPB-300 Ultimate Capacity – 68,000 lb
- Friction Reduction Collar On Starter Section
- U.S. Patent No. 6,193,422
- Manufacturer's Warranty



PPB-300
Utility Bracket Details



PPB-300
Utility Bracket Application Drawing

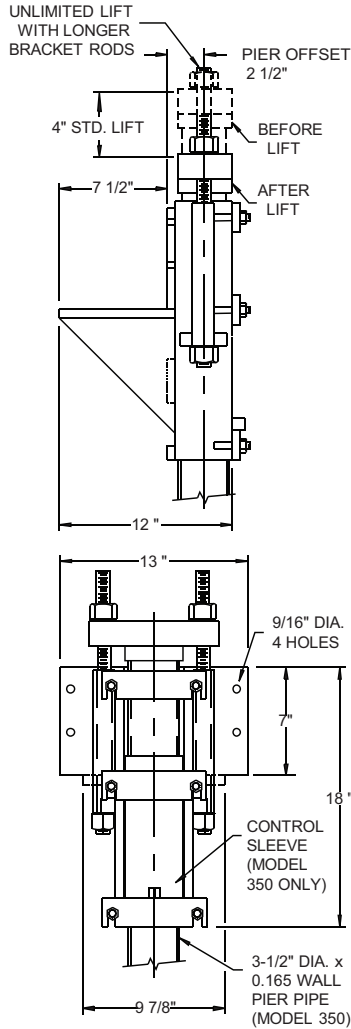
INERTIA POWER 300
INERTIA SLEEVE
INSTALLS INSIDE
PIER SECTIONS
(OPTIONAL)

PPB-300 Steel Pier

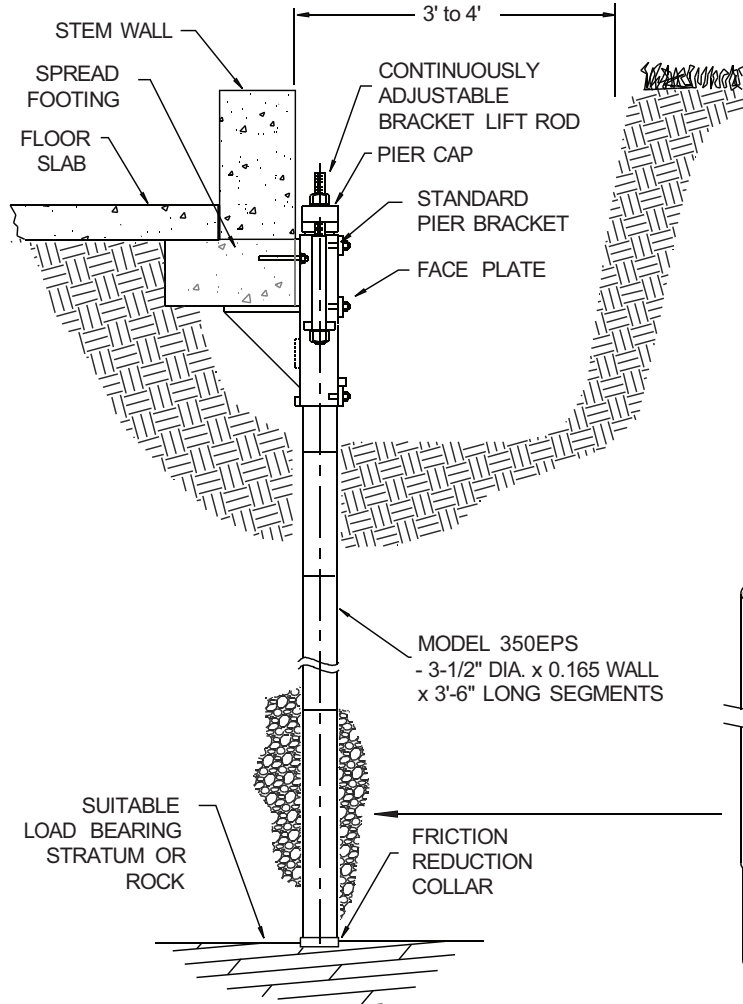
Part Number	Description	Weight Each	Bundle Quantity	Price Each
PPB-300	PPB-300 Assembly Black, Galv Pipe	137 lbs	8	\$287.90
PPB-300-G	PPB-300 Assembly Galv, Galv Pipe	137 lbs	8	\$311.70
PPB-300-EPS	Extra Pier Sections Galv	17.3 lbs	19	\$33.80
PPB-300-IP	Inertia Pier Sleeve	16.5 lbs	1	\$40.55
PPB-300-PC	Pier Coupler	2.5 lbs	20	\$10.20
PPB-300-S	Starter 2-7/8" OD Galv	17 lbs	1	\$37.95
PPB-300-DS	Drive Stand	68 lbs	1	\$1500.00

PPB-300 Bracket includes (1) Pier Cap and (2) 18" All-Thread and (4) Heavy Hex Nuts.
The 14' of Galvanized Pier Material includes: (1) Starter Section w/ Friction Reduction Collar 42" long and (3) Extra Pier Sections 42" long with coupler.

- PPB-350 Ultimate Capacity – 86,000 lb.
- Friction Reduction Collar On Starter Section
- U.S. Patent No. 6,193,422
- Manufacturer's Warranty



PPB-350
Utility Bracket Details



PPB-350
Utility Bracket Application Drawing

INERTIA POWER 350
INERTIA SLEEVE
INSTALLS INSIDE
PIER SECTIONS
(OPTIONAL)

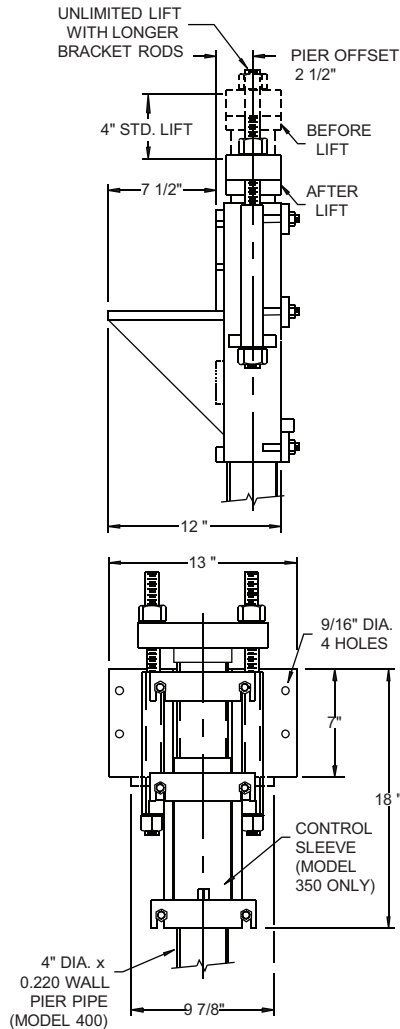
PPB-350 Steel Pier

Part Number	Description	Weight Each	Bundle Quantity	Price Each
PPB-350	PPB-350 Assembly Black, Galv Pipe	206 lbs	8	\$423.70
PPB-350-G	PPB-350 Assembly Galv, Galv Pipe	206 lbs	8	\$464.80
PPB-350-EPS	Extra Pier Sections Galv	22 lbs	19	\$41.15
PPB-350-IP	Inertia Pier Sleeve	23 lbs	1	\$48.80
PPB-350-PC	Pier Coupler	3.5 lbs	20	\$12.35
PPB-350-S	Starter 3-1/2" OD Galv	20 lbs	1	\$47.40
PPB-350-SB	4" OD x 36" Sleeve Black	27 lbs	1	\$68.35
PPB-350/400-DS	Drive Stand	115 lbs	1	\$1,500.00

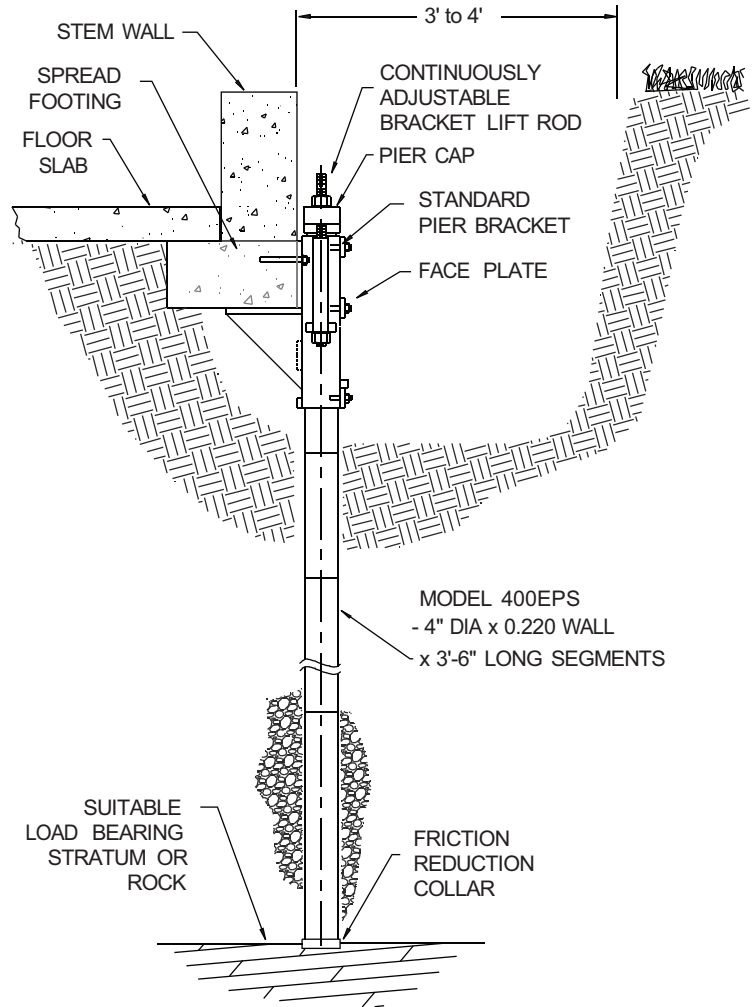
PPB-350 Bracket includes (1) Pier Cap and (2) 18" All-Thread and (4) Heavy Hex Nuts.
The 14' of Galvanized Pier Material includes: (1) Starter Section w/ Friction Reduction Collar 42" long and (3) Extra Pier Sections 42" long with coupler.

PPB-400 Eccentric Underpinning Bracket

- PPB-400 Ultimate Capacity - 99,000 lb.
- Friction Reduction Collar On Starter Section
- U.S. Patent No. 6,193,422
- Manufacturer's Warranty



PPB-400
Utility Bracket Details



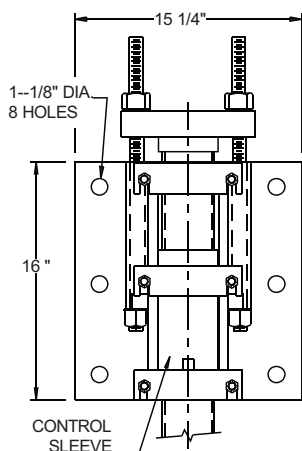
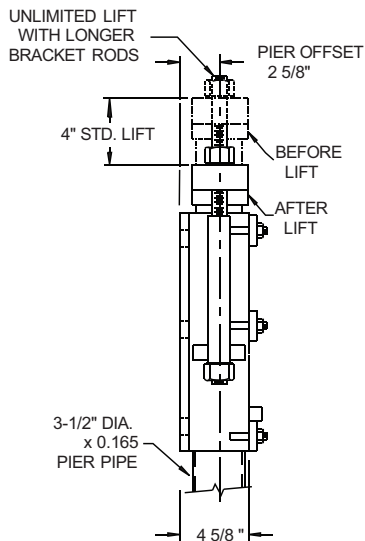
PPB-400
Utility Bracket Application Drawing

PPB-400 Steel Pier

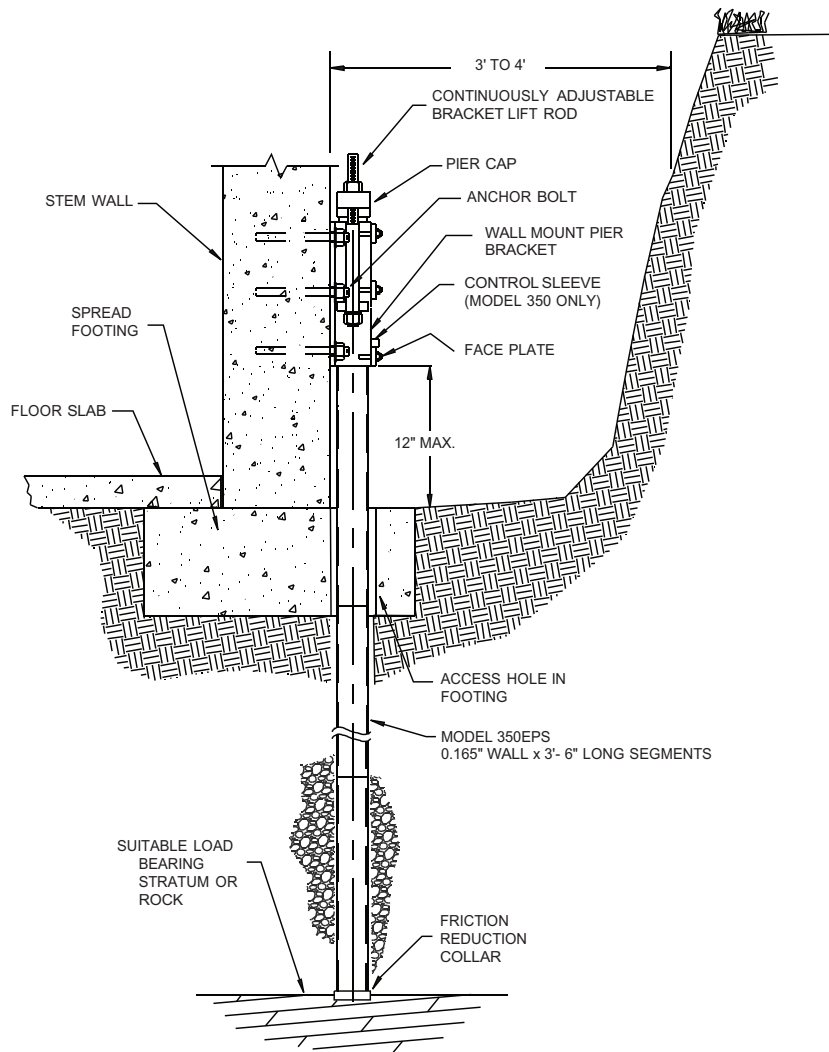
Part Number	Description	Weight Each	Bundle Quantity	Price Each
PPB-400	PPB-400 Assembly Black, Galv Pipe	235 lbs	8	\$497.40
PPB-400-G	PPB-400 Assembly Galv, Galv Pipe	235 lbs	8	\$549.25
PPB-400-EPG	Extra Pier Sections Galv	34 lbs	19	\$79.50
PPB-400-EPB	Extra Pier Sections Black	34 lbs	19	\$72.50
PPB-400-S-G	Starter 4" OD Galv	32 lbs	1	\$77.80
PPB-400-S-B	Starter 4" OD Black	32 lbs	1	\$72.70
PPB-350/400-DS	Drive Stand	115 lbs	1	\$1,500.00

PPB-400 Bracket includes (1) Pier Cap and (2) 18" All-Thread and (4) Heavy Hex Nuts.
 The 14' of Galvanized Pier Material includes: (1) Starter Section w/ Friction Reduction Collar 42" long and (3) Extra Pier Sections 42" long with coupler.

- PPB-350-WM Ultimate Capacity – 86,000 lb.
- Fully Adjustable Unlimited Lift
- Friction Reduction Collar On Starter Section
- Manufacturer's Warranty



PPB-350-WM
Wall Mounted Bracket Details



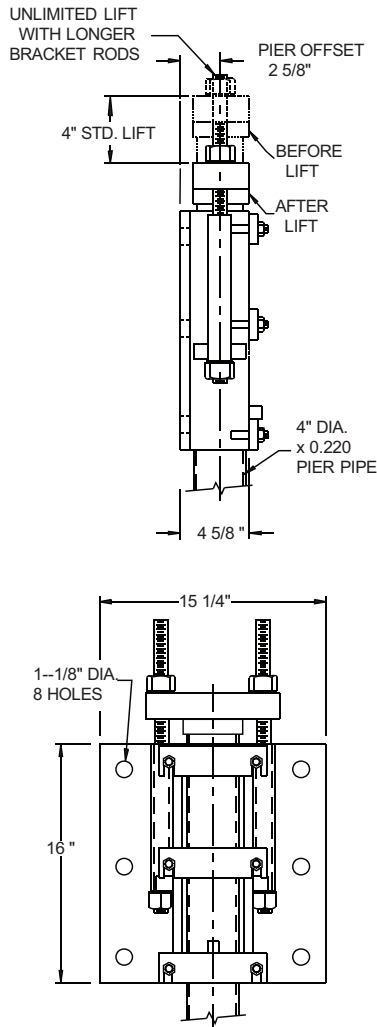
PPB-350-WM
Wall Mounted Bracket Application Drawing

PPB-350-WM Steel Pier

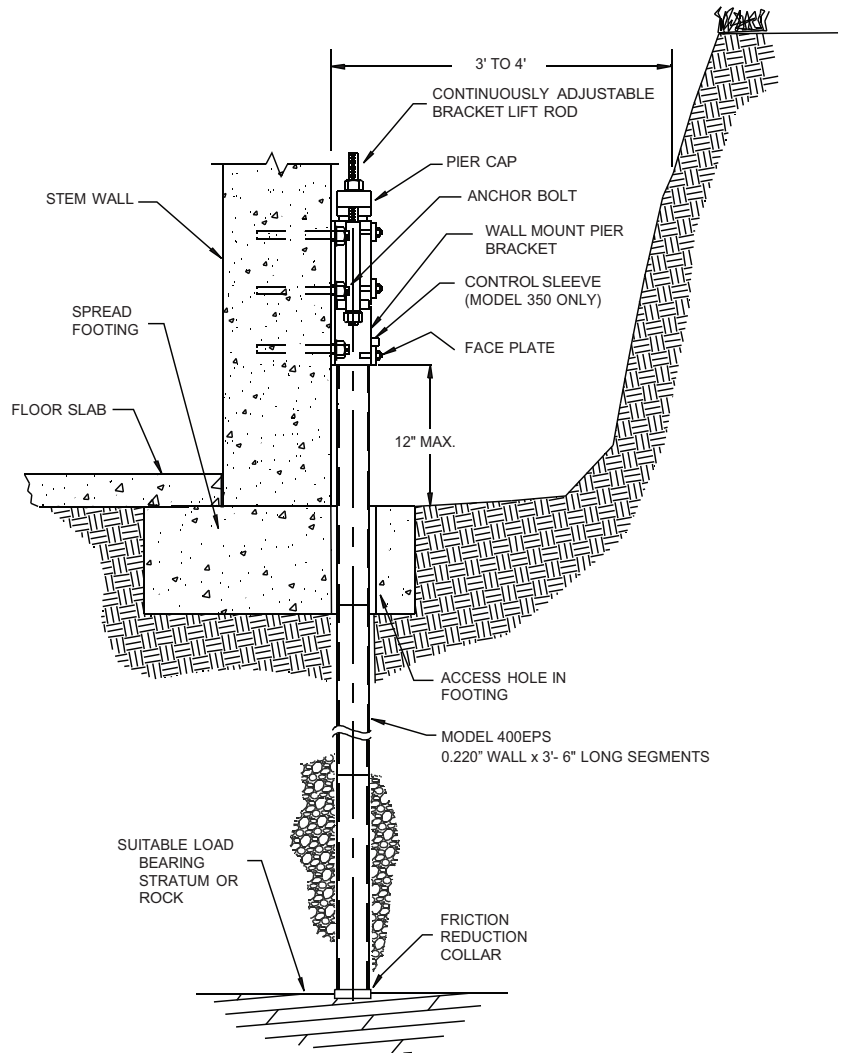
Part Number	Description	Weight Each	Bundle Quantity	Price Each
PPB-350-WM	PPB-350 Assembly Black, Galv Pipe	183 lbs	1	\$394.10
PPB-350-WMG	PPB-350 Assembly Galv, Galv Pipe	183 lbs	1	\$431.00
PPB-350-EPS	Extra Pier Sections Galv	22 lbs	19	\$41.15
PPB-350-IP	Inertia Pier Sleeve	23 lbs	1	\$48.80
PPB-350-PC	Pier Coupler	3.5 lbs	20	\$12.35
PPB-350-S	Starter 3-1/2" OD	20 lbs	1	\$45.75
PPB-350/400-DS	Drive Stand	115 lbs	1	\$1,500.00

PPB-350-WM Bracket includes (1) Pier Cap and (2) 18" All-Thread and (4) Heavy Hex Nuts.
The 14' of Galvanized Pier Material includes: (1) Starter Section w/ Friction Reduction Collar 42" long and (3) Extra Pier Sections 42" long with coupler.

- PPB-400-WM Ultimate Capacity – 107,000 lb.
- Fully Adjustable Unlimited Lift
- Friction Reduction Collar On Starter Section
- Manufacturer's Warranty



PPB-400-WM
Wall Mounted Bracket Details



PPB-400-WM
Wall Mounted Bracket Application Drawing

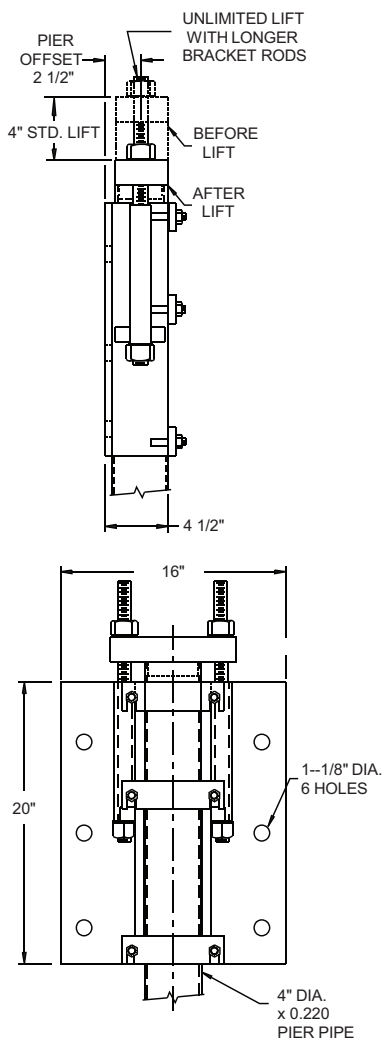
PPB-400-WM Steel Pier

Part Number	Description	Weight Each	Bundle Quantity	Price Each
PPB-400-WM	PPB-400 Assembly Black, Galv Pipe	215 lbs	1	\$558.60
PPB-400-WMG	PPB-400 Assembly Galv, Galv Pipe	215 lbs	1	\$587.00
PPB-400-WMB	PPB-400 Assembly Black, Black Pipe	215 lbs	1	\$535.25
PPB-400-EPS	Extra Pier Sections Galv	34 lbs	19	\$79.50
PPB-400-EPSB	Extra Pier Sections Black	34 lbs	19	\$72.50
PPB-400-SB	Starter 4" OD Black	32 lbs	1	\$72.70
PPB-400-S	Starter 4" OD Galv	32 lbs	1	\$77.80
PPB-350/400-DS	Drive Stand	115 lbs	1	\$1,500.00

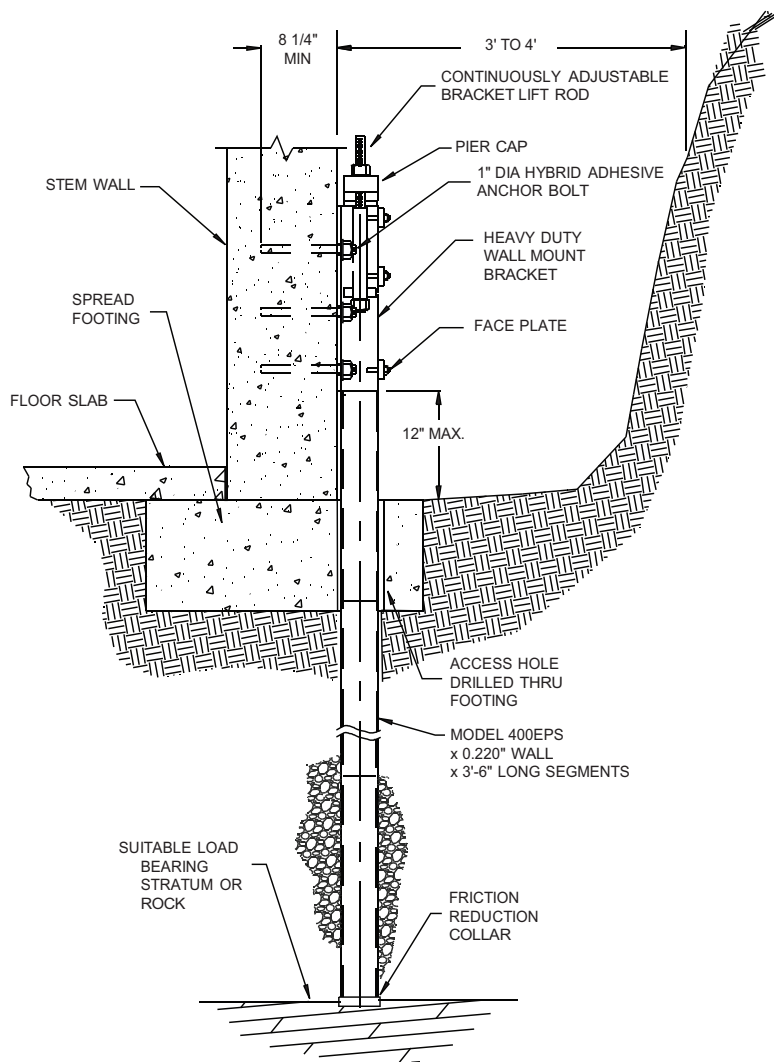
PPB-400-WM Bracket includes (1) Pier Cap and (2) 18" All-Thread and (4) Heavy Hex Nuts. The 14' of Galvanized Pier Material includes: (1) Starter Section w/ Friction Reduction Collar 42" long and (3) Extra Pier Sections 42" long with coupler.

- Model 400-WM HD Ult. Capacity: 115,000 lb
- Installs From Outside or Inside Structure
- 4" Diameter High Strength Tubular Pier

- Fully Adjustable Unlimited Lift Capability
- Friction Reduction Collar On Starter Section
- Manufacturer's Warranty



PPB-400-WM HD
Wall Mounted Bracket Details



PPB-400-WM HD
Wall Mounted Bracket Application Drawing

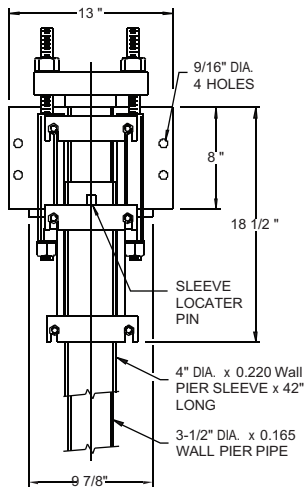
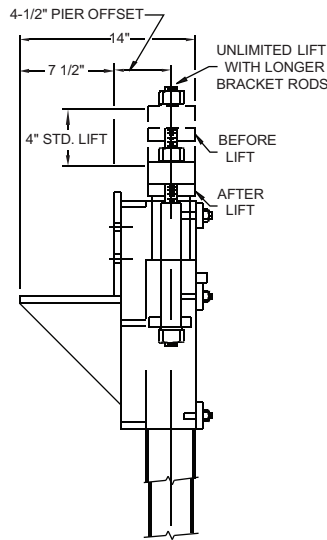
PPB-400-WMHD Steel Pier

Part Number	Description	Weight Each	Bundle Quantity	Price Each
PPB-400-WMHD	PPB-400 Assembly Black, Galv Pipe	230 lbs	1	\$596.00
PPB-400-WMHDG	PPB-400 Assembly Galv, Galv Pipe	230 lbs	1	\$631.85
PPB-400-WMHDB	PPB-400 Assembly Black, Black Pipe	230 lbs	1	\$548.75
PPB-400-EPS	Extra Pier Sections Galv	34 lbs	19	\$79.50
PPB-400-EPSB	Extra Pier Sections Black	34 lbs	19	\$72.50
PPB-400-SB	Starter 4" OD Black	32 lbs	1	\$72.70
PPB-400-S	Starter 4" OD Galv	32 lbs	1	\$77.80
PPB-350/400-DS	Drive Stand	115 lbs	1	\$1,500.00

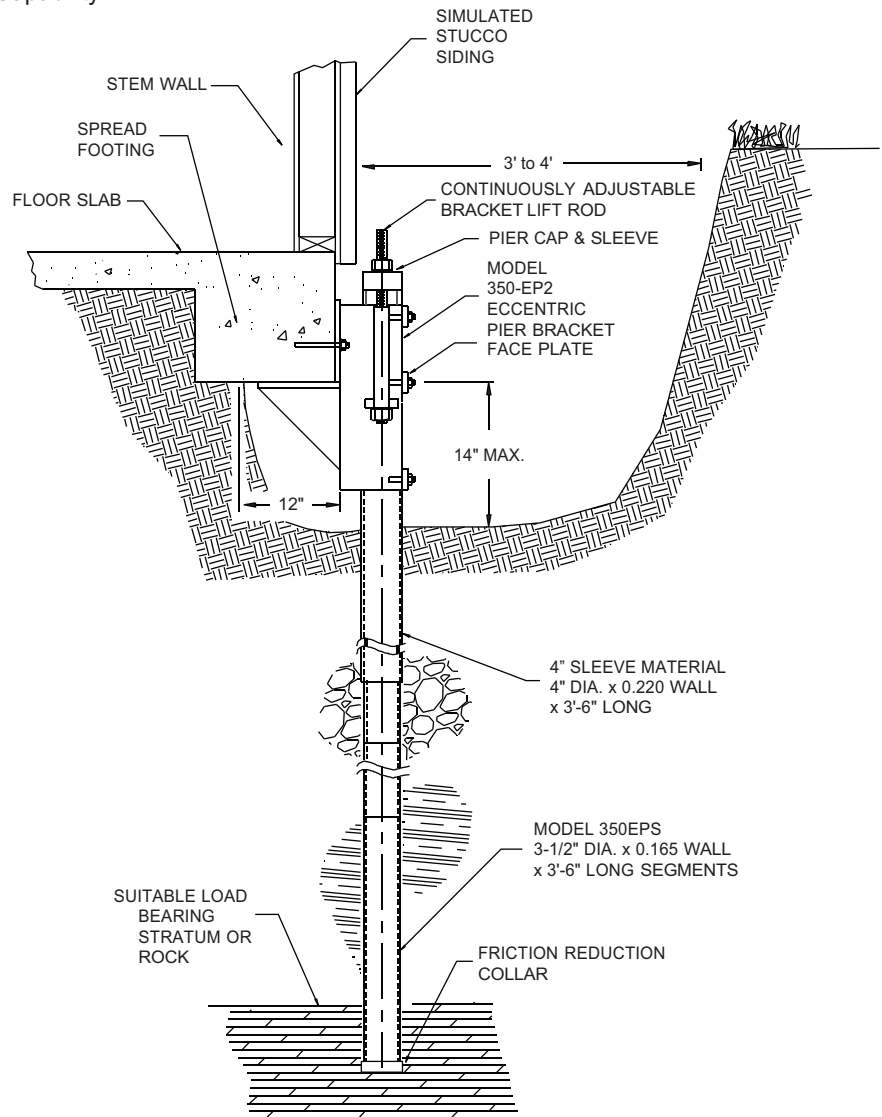
PPB-400-WMHD Bracket includes (1) Pier Cap and (2) 18" All-Thread and (4) Heavy Hex Nuts.
 The 14' of Galvanized Pier Material includes: (1) Starter Section w/ Friction Reduction Collar 42" long and (3) Extra Pier Sections 42" long with coupler.

PPB-350-EP2 2" Eccentric Offset Bracket

- PPB-350-EP2 Ultimate Capacity - 53,000lb.
- Bracket Offset Allows for Siding or Stucco Over Hanging the Footing
- Fully Adjustable Unlimited Lift Capability
- Friction Reduction Collar On Starter Section
- 3-1/2" Pier Material
- Manufacturer's Warranty



PPB-350-EP2
2" Eccentric Utility Bracket Detail



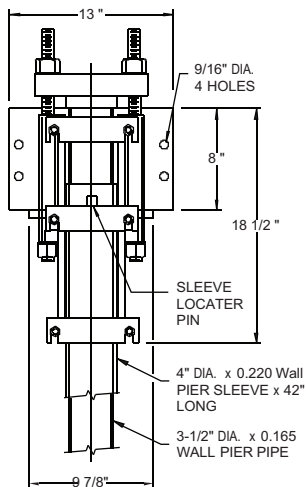
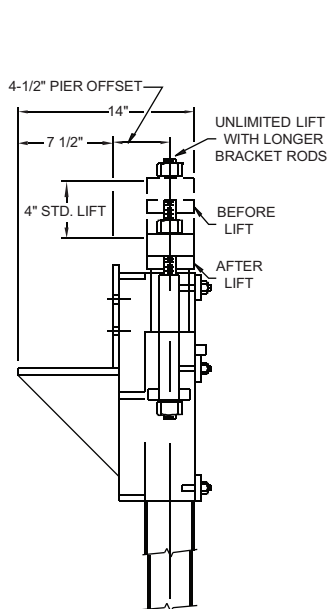
PPB-350-EP2
2" Eccentric Utility Bracket Application Drawing

PPB-350-EP2 Steel Pier

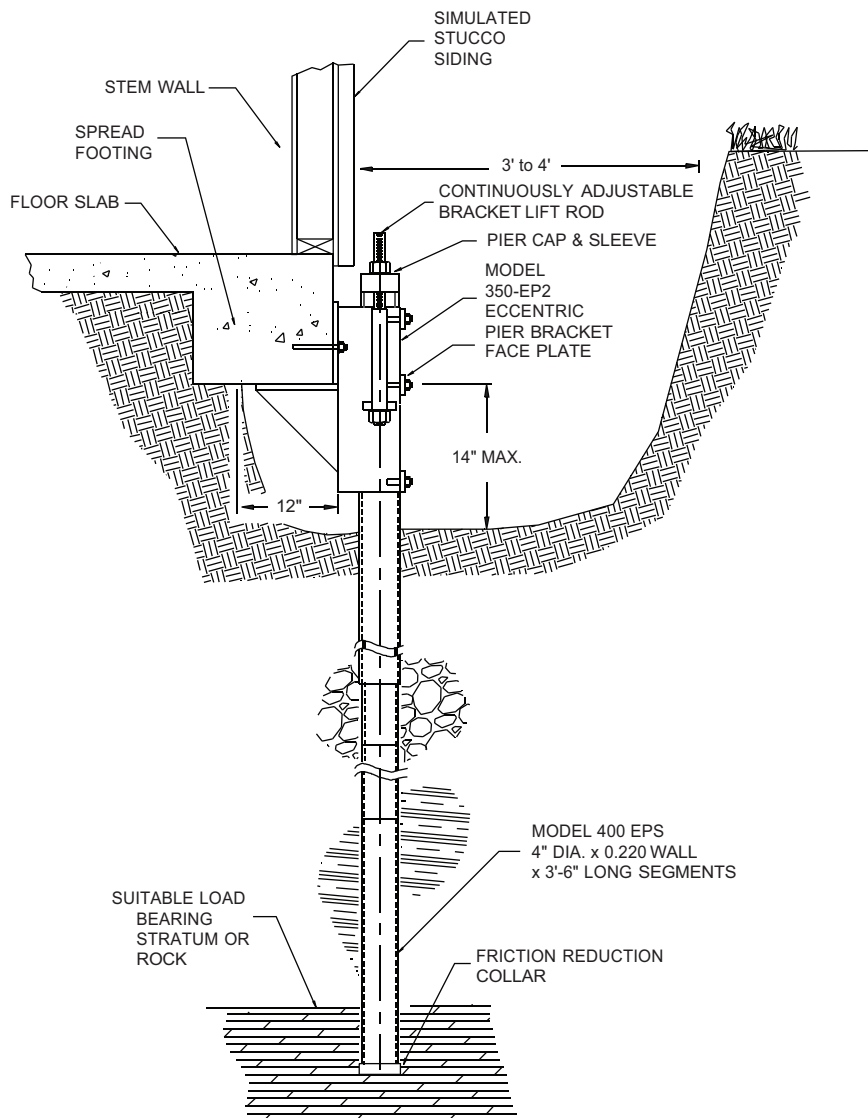
Part Number	Description	Weight Each	Bundle Quantity	Price Each
PPB-350-EP2	PPB-350-EP2 Assembly Black, Galv Pipe	254 lbs	1	\$516.90
PPB-350-EP2G	PPB-350-EP2 Assembly Galv, Galv Pipe	254 lbs	1	\$562.60
PPB-350-EPS	Extra Pier Sections Galv	22 lbs	19	\$41.15
PPB-350-IP	Inertia Pier Sleeve	23 lbs	1	\$48.80
PPB-350-PC	Pier Coupler	3.5 lbs	20	\$12.35
PPB-350-S	Starter 3-1/2" OD Galv	20 lbs	1	\$45.75
PPB-350/400-DS	Drive Stand	115 lbs	1	\$1,500.00

PPB-350-EP2 includes : (1) Bracket (1) 42" Sleeve (1) Pier Cap and (2) 18" All-Thread and (4) Heavy Hex Nuts.
 The 14' of Galvanized Pier Material includes: (1) Starter Section w/ Friction Reduction Collar 42" long and (3) Extra Pier Sections 42" long with coupler.

- PPB-400-EP2 Ultimate Capacity - 54,000lb.
- Bracket Offset Allows for Siding or Stucco Over Hanging the Footing
- Fully Adjustable Unlimited Lift Capability
- Friction Reduction Collar On Starter Section
- 4" Pier Material
- Manufacturer's Warranty



PPB-400-EP2
2" Eccentric Utility Bracket Detail



PPB-400-EP2
2" Eccentric Utility Bracket Application Drawing

PPB-400-EP2 Steel Pier

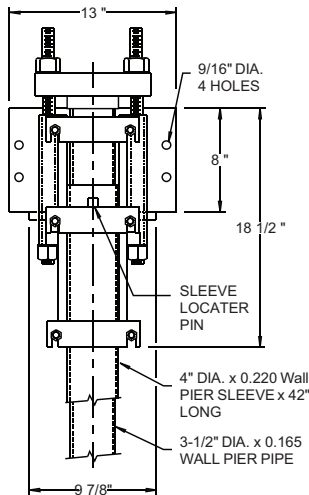
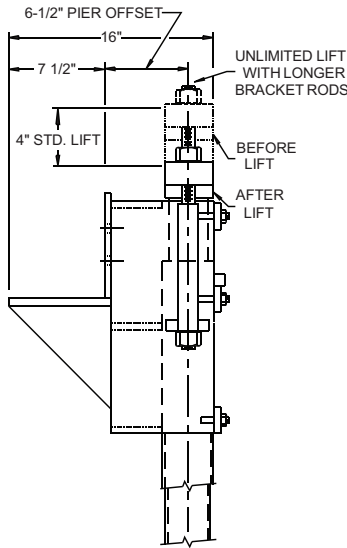
Part Number	Description	Weight Each	Bundle Quantity	Price Each
PPB-400-EP2	PPB-400-EP2 Assembly Black, Black Pipe	280 lbs	1	\$597.35
PPB-400-EP2G	PPB-400-EP2 Assembly Galv, Galv Pipe	280 lbs	1	\$697.25
PPB-400-EPS	Extra Pier Sections Galv	34 lbs	19	\$79.50
PPB-400-S	Starter 4" OD Galv	34 lbs	1	\$77.80
PPB-350/400-DS	Drive Stand	115 lbs	1	\$1,500.00

PPB-400-EP2 includes : (1) Bracket (1) Pier Cap and (2) 18" All-Thread and (4) Heavy Hex Nuts.

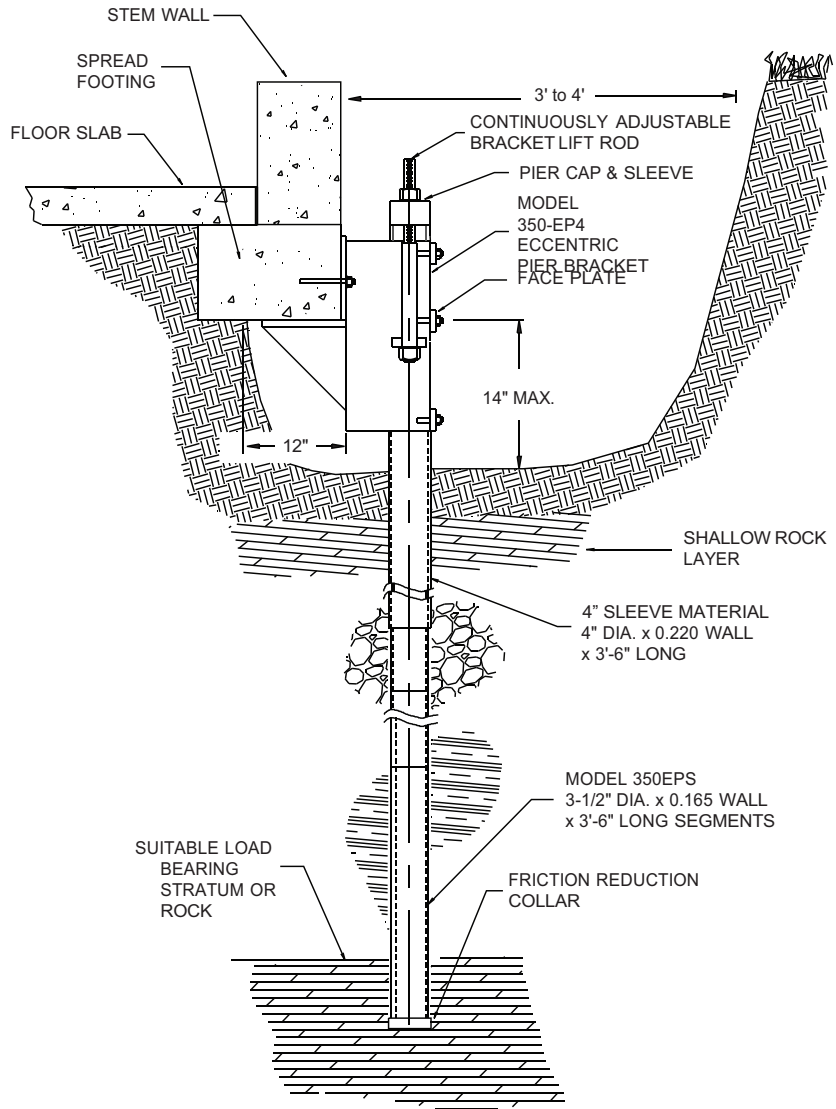
The 14' of Galvanized Pier Material includes: (1) Starter Section w/ Friction Reduction Collar 42" long and (3) Extra Pier Sections 42" long with coupler.

PPB-350-EP4 4" Eccentric Offset Bracket

- PPB-350-EP4 Ulti. Capacity – 42,000 lb.
- Installs In 4" Diameter Predrilled Hole
- Through Rock, Dense Soil & Debris
- 3-1/2" Diameter High Strength, Galvanized Tubular Pier
- Fully Adjustable Unlimited Lift Capability
- Friction Reduction Collar On Starter Section
- Standard Lift – 4"
- 4" Diameter by 42" Long Pier Sleeve



PPB-350-EP4
4" Eccentric Utility Bracket Details



PPB-350-EP4
4" Eccentric Utility Bracket Application Drawing

PPB-400-EP2 Steel Pier

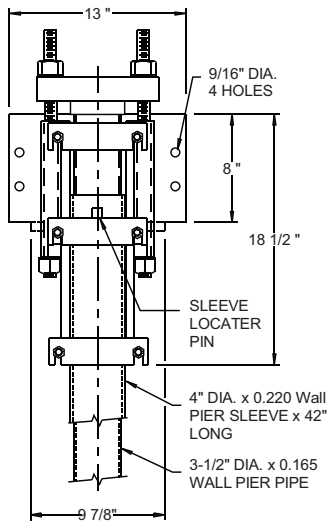
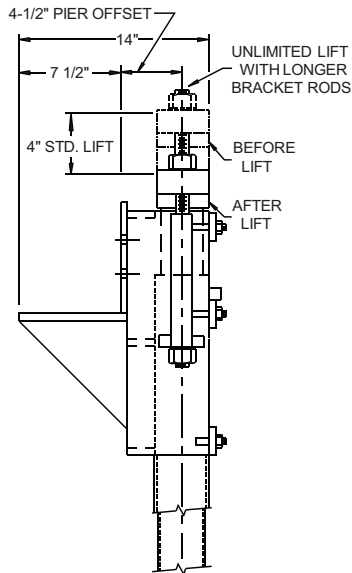
Part Number	Description	Weight Each	Bundle Quantity	Price Each
PPB-350-EP4	PPB-350-EP4 Assembly Black, Galv Pipe	259 lbs	1	\$499.75
PPB-350-EP4G	PPB-350-EP4 Assembly Galv, Galv Pipe	259 lbs	1	\$570.55
PPB-350-EPS	Extra Pier Sections Galv	22 lbs	19	\$41.15
PPB-350-S	Starter 3-1/2" OD Galv	20 lbs	1	\$45.75
PPB-350/400-DS	Drive Stand	115 lbs	1	\$1,500.00

PPB-400-EP2 includes : (1) Bracket (1) Pier Cap and (2) 18" All-Thread and (4) Heavy Hex Nuts.

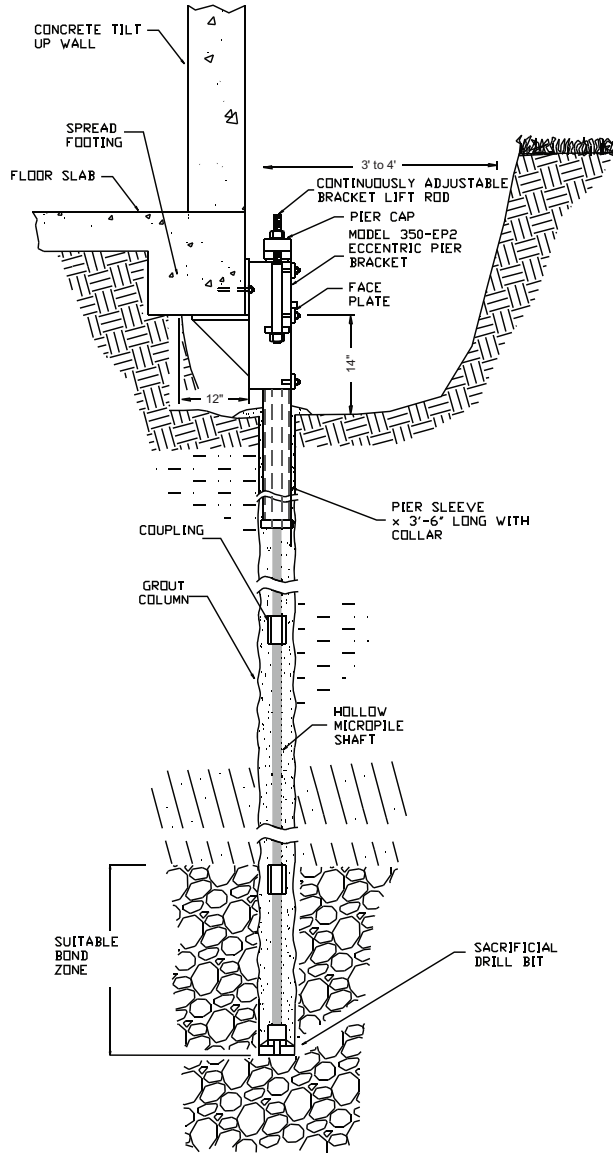
The 14' of Galvanized Pier Material includes: (1) Starter Section w/ Friction Reduction Collar 42" long and (3) Extra Pier Sections 42" long with coupler.

- Ultimate Brkt Capacity – Up to 68,000 lb.
- Installs Into Rock Through a Predrilled and Grouted Hole
- 74 Square Inches Bearing Surface
- Standard Lift – 4"
- Fully Adjustable Unlimited Lift Capability
- Hollow Micro Pile Shaft
- 42" Long Pier Sleeve
- Installs With Portable Equipment

★ U.S. Patent # 8,741,880



PPB-350-MP2 Micro Pile Bracket Details



PPB-350-MP2 –Typical Micro Pile Application Drawing

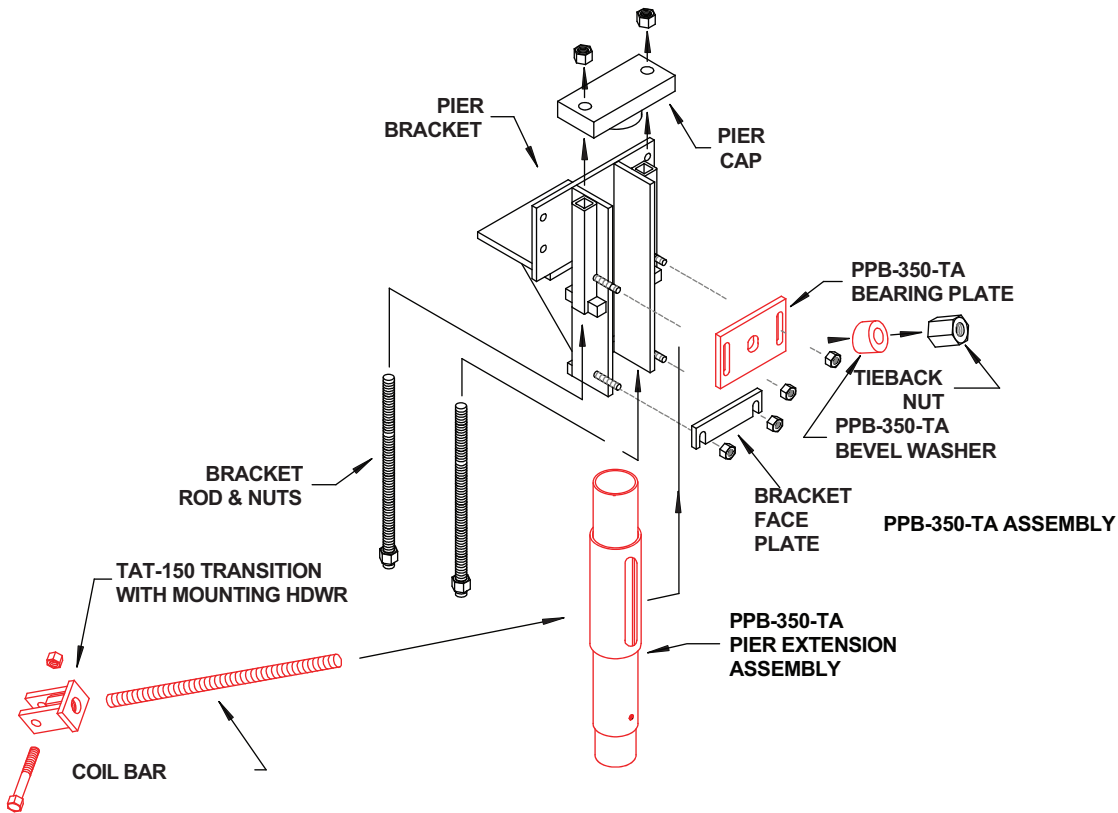
PPB-350-MP2 Micro Pile Bracket with 2" Eccentric Offset

Part Number	Description	Weight Each	Bundle Quantity	Price Each
PPB-350-MP2	PPB-350-MP2 Assembly Black	157 lbs	1	\$368.95
PPB-350-MP2G	PPB-350-MP2 Assembly Galv	157 lbs	1	\$423.40

PPB-350-MP2 includes : (1) Bracket (1) Pier Cap and (2) 18" All-Thread and (4) Heavy Hex Nuts (1) Pier Sleeve Hollow Bar Sold Separately

PPB-350-TA Resistance Pier Tieback

- PPB-350 Ultimate Capacity – 86,000 lb.
- Friction Reduction Collar On Starter Section
- 3-1/2" Diameter High Strength, Galvanized Tubular Pier Pipe
- Tubular Pier Pipe Installs To Rock or Verified Load Bearing Stratum
- Installs With Little or No Vibration
- 100% of Piers Proof Tested at Installation
- 1-1/2" Solid Square Shaft Helical Tieback Torque Anchor™ for Lateral Support
- Ultimate Tieback Capacity – 70,000 lb.
- Tieback Installation Angle – 15° to 20°
- PPB-350-TA Assembly Required to Connect Bracket to Tieback Anchor
- Manufacturer's Warranty



PPB-350 TA Torque Anchor Adapter Steel Pier

Part Number	Description	Weight Each	Bundle Quantity	Price Each
PPB-350-TA	TA Assembly Kit <i>*Items in Red</i>	52 lbs	1	\$255.40
PPB-350-TTA	PPB-350 Assembly Black, 14' Galv Pipe	206 lbs	1	\$652.70
PPB-350-TAGA	PPB-350 Assembly Galv, 14' Galv Pipe	206 lbs	1	\$672.95
PPB-350-EPS	Extra Pier Sections Galv 42" long	22 lbs	19	\$41.15
TAT-150	See Page 21	5 lbs	1	\$51.25

PPB-350-TA Includes: (1) Pier Extension Assembly, (1) Bearing Plate, (1) Bevel Washer, (1) WF8 Nut,

PPB-350 Assembly Sold Separately.

ECP Glossary of Terms:

Helical - Manufactured steel component consisting of one or more bearing plates welded to a central shaft that is hydraulically screwed into the soil to support structures, and can also be utilized to provide soil stability.

Shaft - Central tubular or solid steel column (1.5"RCS, 1.75"RCS, 2"RCS, 2.78"OD, 3.5"OD, 4.5"OD) that makes up the core of a helical.

Flight - Generally circular steel plate (3/8" or 1/2") pressed in a helix shape with a uniform pitch. The flight is welded to the steel shaft of choice.

Transition - The transition is a component that attaches to one end of the helical anchor and the other end has a threaded knuckle/socket to accept an all-thread bar.

Tie-back - Helical anchor application used in earth retention with the helical flights located a significant distance past the active zone of retained earth and a central shaft that extends through the active zone to a rigid wall.

Soil Nail - Helical anchor used in earth retention with helical bearing plates spaced long the entire length of the shaft so as to reinforce an entire zone of retained earth.

Upset Coupling - Forged end of a helical extension that creates the female connection between two helical extensions.

Coupler - Connection piece used to link all-thread or helical material together.

Underpinning - Method of installing piles underneath an existing structure, connecting the piles to the structure and transferring support from the existing foundation elements to the piles; may be associated with lifting and leveling structures.

Resistance Pier - An underpinning system (aka; push piers or pin piles) hydraulically driven into the soil using the structural weight of the building as a reaction force.

Inertia Sleeve - The inertia sleeve is a pipe assembly that is gravity fed inside the pier pipe during installation to increase the moment of inertia of the pier pipe and strengthens the joints between pier sections. The inertia sleeve shall be used to strengthen the pier pipe through areas of weak soil, areas of unsupported length of pier pipe or where additional pier wall strength is required.

ECP Glossary of Terms:

Resistance Sleeve Material - The external pier sleeve shall be manufactured from steel tubing having a nominal outside diameter of 4" outside diameter and a wall thickness of 0.220". The external pier sleeve sections shall be fabricated from mill rolled, induction heat treated steel with a minimum yield strength of 55,000 psi. Each external pier sleeve section shall be approximately 36" long.

Wall Mount Bracket - Pier bracket designed to connect the structure to the pier and transfer the load of the structure to the pier pipe. Unlike an underpinning bracket that sits under the footing, this bracket is connected to the structure with a 6 epoxy filled anchor bolts.

Slab Bracket - Direct load bracket designed specifically for supporting existing floor slabs, designed for helical piers and resistance piers.

Porch Pier Bracket - A light weight eccentric underpinning bracket designed to work in conjunction with 1.5" square bar helical material. This bracket was created as a low-cost bracket to support settling porches.

Concentric Pier - Pier installed centrally beneath the footing rather than outside of footing, thus transferring the structural load directly on top of the pier bracket.

Eccentric Pier - Pier that is side loaded. An eccentric pier is one that the pile axis is not in line with its applied load.

End Bearing - Term used to describe a pile that generates a majority of its capacity from the pile tip, such as piles that bear directly on load bearing soil or rock.

Micro-Pier Bracket - Underpinning bracket designed to work in conjunction with hollow bar micro-piles. The bracket is mounted to the foundation while a portable rock drill is used to penetrate the soil. This style of pier is especially effective when others fail due to encounters with debris or extremely hard rock/soil layers.

Plate Anchor - (aka; wall anchor, earth anchor, dead-man anchor) Heavy-duty galvanized interior and exterior steel plates connected by $\frac{3}{4}$ " B7 thread rod. Utilized to repair or stabilize bowed foundation walls.

Gas Pumps

Part Number	Description	Weight	Price
HYD-6440	Enerpac 17 ft-lb motor 10,000 PSI Pump 10 gal Res	334	\$14381.50
HYD-5420	Enerpac 7.1 ft-lb motor 10,000 PSI Pump 5 gal Res	113	\$6098.00



Electric Pumps

Part Number	Description	Weight	Price
HYD-4308	Enerpac 1 port Lift Pump 2 gal Res	71	\$3483.15
HYD-4408	Enerpac 2 port Drive Pump 2 gal Res	71	\$4847.65
HYD-4420	Enerpac 2 Port Drive Pump 5 gal Res	110	\$6317.80



Hand Pumps

Part Number	Description	Weight	Price
HYD-801	Enerpac 1 port Hand Pump 1 gal Res	31	\$892.30
HYD-462	Enerpac 1 port Drive Pump 2 gal Res	61	\$2640.15



Cylinders

Part Number	Description	Weight	Price
HYD-300-DC	PPB-300 Drive Cylinder 30 Ton, 24" Stroke, Double Acting	85	\$4089.85
HYD-350-DC	PPB-350 Drive Cylinder 30 Ton, 24" Stroke	95	\$3636.80
HYD-350-DCI	PPB-350 Inverted Drive Cylinder 30 Ton, 24" Stroke	90	\$4256.90
HYD-254	25-Ton Single Acting Cyl w/ 4" Stroke	18	\$482.25
HYD-258	25-Ton Single Acting Cyl w/ 8" Stroke	27	\$587.15
HYD-306	30-Ton Single Acting Hollow Cylinder , 6" stroke	48	\$1907.40



Hoses

Part Number	Description	Weight	Price
HYD-9206	6'x 1/4" 10,000 PSI Lift Hose w/ 2 HYD -604-M Fittings	3	\$105.20
HYD-9210	10'x 1/4" 10,000 PSI Lift Hose w/ 2 HYD -604-M Fittings	5	\$141.85
HYD-9220	20'x 1/4" 10,000 PSI Lift Hose w/ 2 HYD -604-M Fittings	9	\$241.50
HYD-9250	50'x 1/4" 10,000 PSI Lift Hose w/ 2 HYD -604-M Fittings	22	\$315.00
HYD-9310	10'x 3/8" 10,000 PSI Hose Drive Hose w/ 2 HYD -604-M Fittings	7.3	\$240.20
HYD-9320	20'x 3/8" 10,000 PSI Hose Drive Hose w/ 2 HYD -604-M Fittings	15	\$302.75
HYD-9350	50'x 3/8" 10,000 PSI Hose Drive Hose w/ 2 HYD -604-M Fittings	33	\$532.20



Fittings

Part Number	Description	Weight	Price
HYD-400-F	Female 10,000 PSI Fitting	3	\$27.90
HYD-604-M	Male 10,000 PSI Fitting	5	\$21.15



Remote Valve

Part Number	Description	Weight	Price
HYD-4L	Remove Valve Locking	12	\$1211.50
HYD-4LC	Remote Valve Locking, Speed and Pressure Control	18	\$2640.55



Gauges

Part Number	Description	Weight	Price
HYD-2535	2.5" Gauge Complete Assembly 10,000 PSI	1	\$250.10
HYD-4088	4" Gauge Complete Assembly 10,000 PSI	4	\$339.25



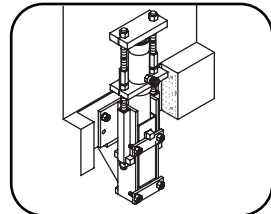
Manifold & Oil

Part Number	Description	Weight	Price
HYD-MAN	6 way manifold Complete for Lifting	28	\$1267.30
HYD-101	1 gallon Enerpac Hydraulic Oil	8	\$31.40



Lift Assemblies

Part Number	Description	Weight	Price
PPB-350-LA	Lift Assembly for PPB-350, PPB-400, TAB-LUB	20	\$60.60
PPB-300-LA	Lift Assembly for PPB-300, TAB-288-MUB, PPB-166	17	\$51.50



LIFT ASSEMBLY

*Note: ECP offers more hydraulics than what is listed. This is only a sample of the common items purchased.



www.getecp.com



www.getecp.com



Earth Contact Products

15612 S. Keeler Ter.

Olathe, KS. 66062

866-327-0007

www.getecp.com