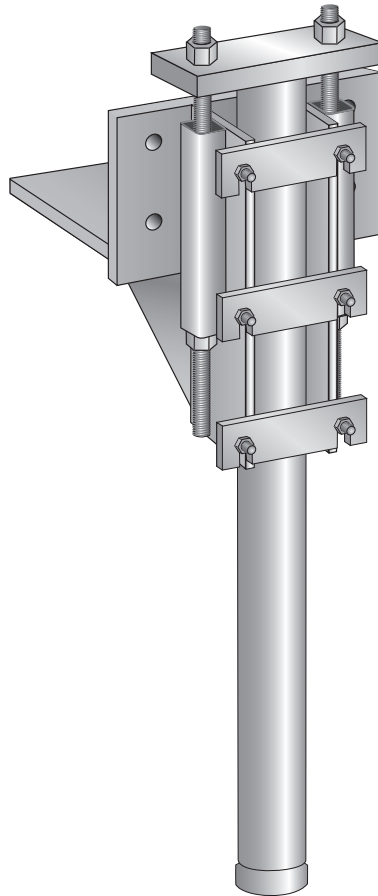


PPB-350-EP2-- Underpinning Bracket



Product Specifications

Product Style	Underpinning Bracket
Component	PPB-350-EP2 Steel Pier (4-1/2" Pier Offset)
Capacity	53 Kip
Bearing Surface	74 Square Inches
Lift Capacity	Fully Adjustable for Unlimited Lift
Coating	Black (Optional Hot Dip Galvanized)
Pier Pipe Spec	ASTM A500
Standard Package	1
Standard Package Unit	Each Bracket Only & 4" OD x .220 Wall x 42" long Sleeve
Weight	155 lbs.

Notes

Underpinning Bracket Assembly

Optional: PPB-350-IP, PPB-350-SB and High Strength Non-Shrink Grout