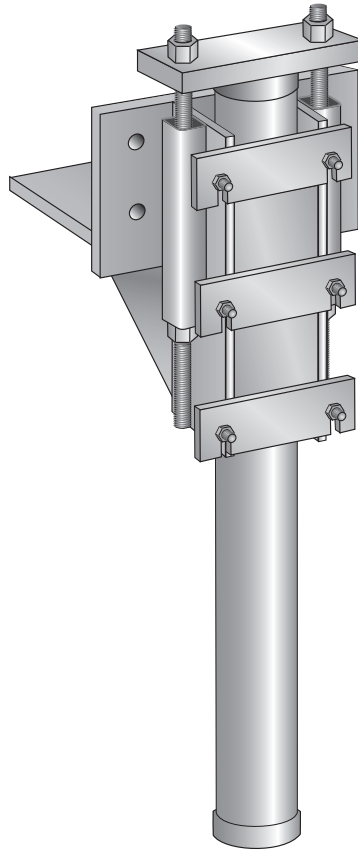


## PPB-300 -- Underpinning Bracket



### Product Specifications

|                       |                                      |
|-----------------------|--------------------------------------|
| Product Style         | Underpinning Bracket                 |
| Component             | PPB-300 Steel Pier                   |
| Capacity              | 68 Kip                               |
| Lift Capacity         | Fully Adjustable for Unlimited Lift  |
| Coating               | Black (Optional Hot Dip Galvanized)  |
| Pier Pipe Spec        | ASTM A500                            |
| Pier Pipe Size        | 2-7/8" OD x .165 wall x 42" long     |
| Standard Package      | 8                                    |
| Standard Package Unit | Each Bracket w/ 14' of pier material |
| Weight                | 138 lbs. (1104 lbs per pallet)       |

### Notes

Underpinning Bracket Assembly

Optional: PPB-300-IP and High Strength Non-Shrink Grout